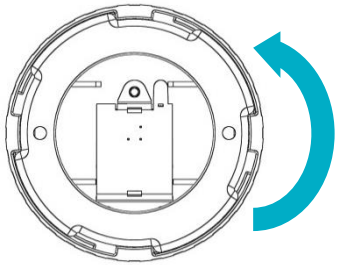




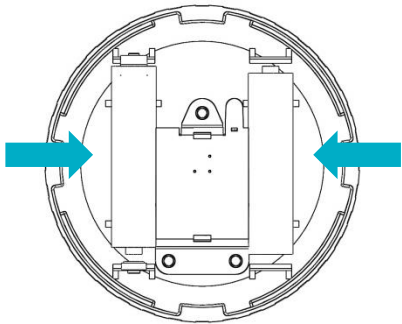
CEILING MOTION SENSOR INSTALLATION GUIDE



STEP 1: INSTALL BATTERIES

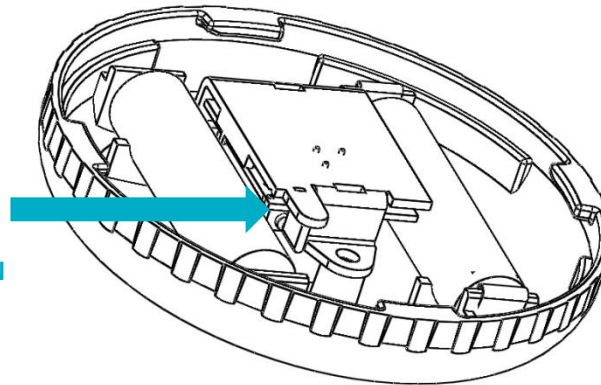


Remove the Mounting Plate by rotating the Housing counter-clockwise as shown.



Install the two AAA batteries in the Sensor Housing with polarity as shown.

STEP 2: INSTALL DRIVER AND IDENTIFY



BUTTON

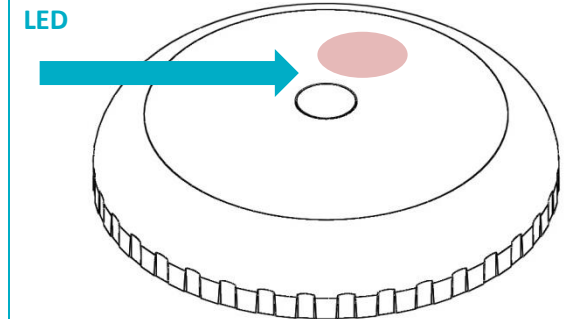
Install the device's driver: [MotionSensor_zb_nyce_3043.c4i](#)
Download driver from: www.nycesensors.com/support
or from Control4's online database

Copy to My Documents\Control4\Drivers
Open Composer and add device to project (Manufacturer = "NYCE")

Identify the device by pressing the button 4 times while its identify window is open.

The device's 64-bit address should appear in the identify window's text box.

STEP 3: VERIFY DEVICE AND CLOSE

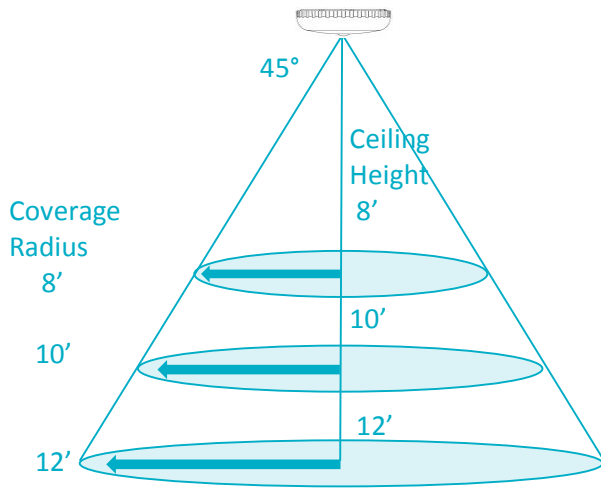


Verify that the device is sensing motion.

The sensor requires a 3 minute "warm-up" time before it will report motion.

The LED should flash red and motion should be indicated in Navigator or Composer's List View.

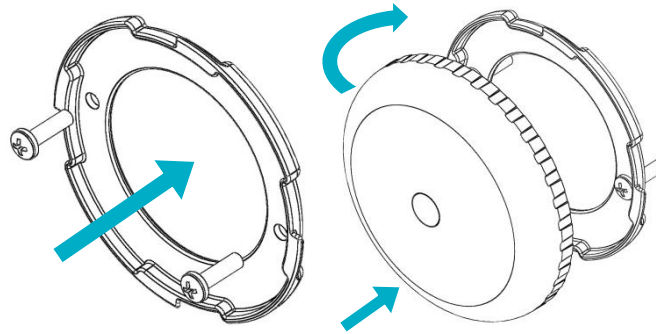
STEP 4: PLACEMENT GUIDELINES



Position the Ceiling Motion Sensor for best use of its detection zones.

* All Measurements are approximate.

STEP 5: INSTALL THE MOTION SENSOR



Install the Mounting Plate on an overhead surface using the two #6 screws provided. Place the Sensor Housing over the Mounting Plate, there is no “keyed” location. Rotate the Housing clockwise to lock it into place.

Notes: Test the Sensor from the desired location before permanent installation. Installation on metal can reduce transmission range. Ensure that the device is installed in a dry location away from water, moisture, and rain.



READING AND WRITING ATTRIBUTES

To Read:

In Composer, under the Actions tab, click on Read Attributes. Wake up the device by triggering motion or with a double button press. Check the updated attribute value under the Properties tab. The Attribute Status field should read: “Attributes are up to date.”

To Write:

In Composer, change the attribute value (Custom = 4 - 65535 seconds) under the Properties tab and click Set. Under the Actions tab, click on Write Attributes. Wake up the device by triggering motion or with a double button press. Check the Attribute Status field. It should read: “Attributes are up to date”.

PRODUCT FUNCTION AND LED INDICATORS

BUTTON	LED	ACTION	LED	DESCRIPTION
2 TIMES	●●	NETWORK STATUS	●● ●●	JOINED NOT JOINED
4 TIMES	●●●●	NETWORK JOIN	●●●● ●●●● ●● ●●	SEARCHING FOR NETWORK DEVICE BEING CONFIGURED DEVICE JOINED DEVICE FAILED TO JOIN
6 or 10 TIMES	●●●●●● or ●●●●●●●●	NETWORK LEAVE and DEFAULT	●● ●●●●●●	LEAVE (IF JOINED) and DEFAULTS RESTORED
		NO ACTION	● ●● ●●●	WRONG BUTTON PRESS NETWORK ERROR, RETRY DEVICE BUSY
		MOTION DETECTED POWER UP	● ●●●●●●●●	

