

M/PTL35.1
KNX Tile Display
Hardware Version: A

Product Name	Panel & Frame	Model No.
KNX Tile Display (With plastic or metal frame)	Tile Display	M/PTL35.1
	Frame	HDL-MP1-EC/TILE.48



Datasheet

Issued: June 8, 2021

File Edition: B



Figure 1. KNX Tile Display

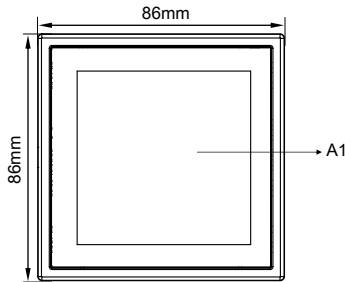


Figure 2. Dimensions - with plastic frame

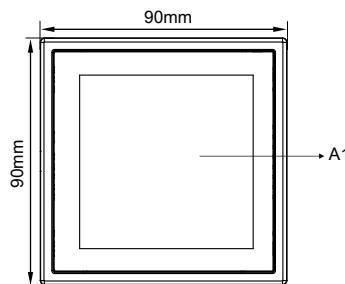


Figure 3. Dimensions - with metal frame

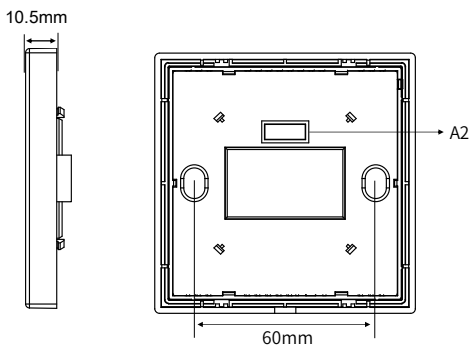


Figure 4. Dimensions - Side View Figure 5. Dimensions - Back View

Overview

KNX Tile Display (See Figure 1) is a multi-function control panel for home automation. With 3.5-inch LCD screen and full-screen touch control, it is convenient for the users to control lighting, curtain, scene, AC/FCU, floor heating, music and fresh air in an intuitive way.

Its functions include:

- Built-in temperature and humidity sensor
- Built-in proximity sensor, when the panel detects human body, the LCD screen will wake up.
- Adjustable LCD backlight
- LCD screen wakes up automatically.
- Screen lock setting
- 5 scene shortcut buttons and 1 main menu button available in main interface
- Time and environment status display setting
- Dedicated pages for lighting, curtain, scene, AC/FCU, floor heating, music and fresh air control
- A total of 20 control keys can be set on the lighting page. The control types are: Switch, dimmer, RGB and CCT.
- Curtain control: up to 8 curtains supported. Supports opening/closing, stopping, percentage adjustment
- Scene control: up to 20 scenes supported
- AC/FCU control: Supports switching, temperature adjustment, fan speed adjustment, mode switching of up to 3 AC/FCU
- Floor heating control: Supports switching, temperature adjustment, mode switching of up to 8 floor heating control, Floor heating modes: Normal, Day, Night, Away, Timer.
- Music play: 1 music player supported, list not supported (source switching not supported)
- Fresh air control: Supports switching, fan speed adjustment, mode switching of 1 fresh air control

Components

Dimensions - See Figure 2 - 5

A1. 3.5-inch touch screen

A2. Communication interface

Note(s)

- The panel should be mounted on the wall box with Tile Series KNX Panel Power Interface (with External Power Supply) (M/PTCI2P.1).
- The device is compliant with the KNX standard and the parameters are set by the Engineering Tool Software (ETS).



Safety Precautions

- The installation and testing for the product must be carried out by HDL Automation Co., Ltd. or its appointed service agencies. The electric construction shall comply with local laws and safety regulations.
- HDL will not be responsible for any consequence caused by the inexpert or faulty installation and wiring methods, which are not in accordance with the instructions contained in this operating instruction.
- Please do not privately disassemble or replace any parts of the product. Otherwise, it may cause mechanical fault, electric shock, fire or personal injuries.
- Please contact our after-sales departments or our designated service agencies for your maintenance service. Product failures caused by private disassembly are not subject to this warranty.

Package Contents

M/PTL35.1*1 / Datasheet*1

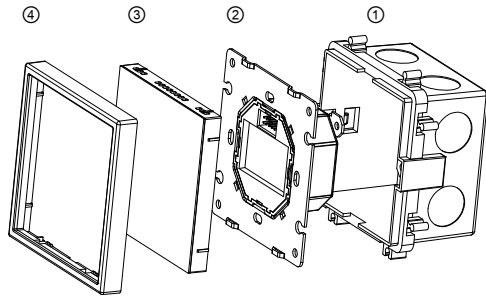


Figure 6. Installation

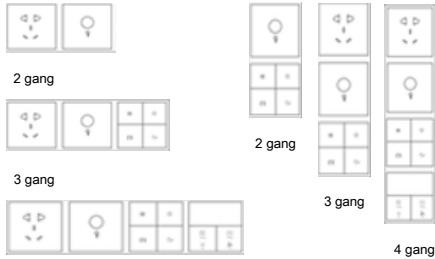


Figure 7. Horizontal installation

Figure 8. Vertical installation

Notes: Metal panels can be installed either horizontally or vertically. Plastic panels can be only installed horizontally.

Product name	Frame Types	Gang	Dimensions
2/3/4-gang frames	Metal	2 gang	176*90*10.5(mm)
		3 gang	262*90*10.5(mm)
		4 gang	348*90*10.5(mm)
	Plastic	2 gang	172*86*10.5(mm)
		3 gang	258*86*10.5(mm)
		4 gang	344*86*10.5(mm)

Technical Data

Basic Parameters

Working voltage	21~30V DC
Working current	11mA/30V DC
Auxiliary voltage	20~30V DC
Auxiliary current	90mA/24V DC
Communication	KNX
Cable diameter of KNX terminal	0.6 - 0.8mm

External Environment

Working temperature	-5°C~45°C
Working relative humidity	≤90%
Storage temperature	-20°C~60°C
Storage relative humidity	≤93%

Specifications

LCD screen resolution	480x480
Dimensions	Panel with plastic frame: 86×86×10.5(mm) Panel with metal frame: 90×90×10.5(mm)
Net weight	Panel with plastic frame: 78g Panel with metal frame: 116g
Housing material	Panel with plastic frame: glass, PC Panel with metal frame: glass, aluminum alloy
Installation	Wall box (See Figure 6)
Protection rating (Compliant with EN 60529)	IP20

Approved

CE, RoHS

KNX

KNX Cable Guide

KNX	KNX Cable
-	Black
+	Red

Installation

Installation - See Figure 6

- Step 1. Install the wall box in the wall.
- Step 2. Secure the power interface into the wall box with screws.
- Step 3. Install the panel cover on the power interface.
- Step 4. Mount the frame around the panel.

Technical support

E-mail: hdltickets@hdlautomation.com

Website: <https://www.hdlautomation.com>

©Copyright by HDL Automation Co., Ltd. All rights reserved.
Specifications subject to change without notice.