

## Mounting Hardware

# RM-44S / RM-44D / RM-SH / RM-SF / RM-SBP

<User Guide>

Ver.2.0.0

- Thank you for choosing our product.
- To ensure the best performance of this product, please read this user guide fully and carefully before using it and keep this manual together with the product for future reference as needed.

### Before reading this manual

- All rights reserved.
- Some information contained in this User guide such as exact product appearance, diagrams, menu operations, communication commands, and so on may differ depending on the product version.
- This User guide is subject to change without notice. You can download the latest version from IDK's website at: <http://www.idkav.com>

## Included items

Verify that all items listed below are included in the package.

If any items are missing or damaged, please contact IDK.

RM-44S	
Mounting bracket (Short)	1
Mounting bracket (Long)	1
M4 screw (Binding head, M4xL6)	6

RM-44D	
Mounting bracket (Short)	2
Connecting bracket	2
M4 screw (Binding head, M4xL6)	12
M3 screw (Binding head, M3xL5)	6*

RM-SH	
Shelf plate (Half)	1
Mounting bracket (Short)	1
M4 screw (Binding head, M4xL6)	6
M3 screw (Binding head, M3xL5)	6*

RM-SF	
Shelf plate (Full)	1
M3 screw (Binding head, M3xL5)	10*

RM-SBP	
Blank panel	1
M3 screw (Binding head, M3xL5)	2

\* Two (2) extra screws are included.

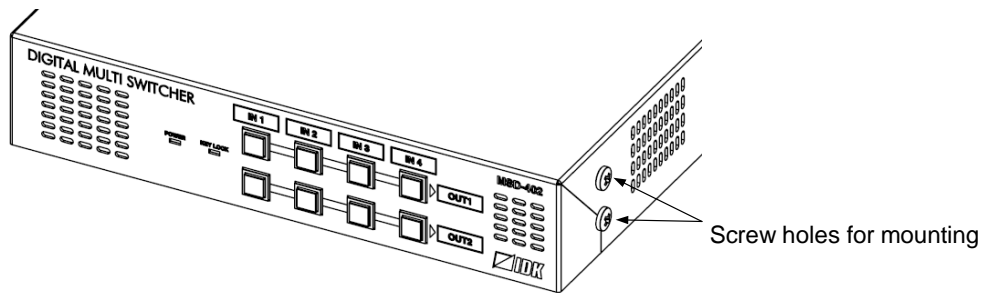
## Precaution

Please observe the following precautions.

- Power off all devices before installation.
- Remove the rubber feet from the bottom of the chassis, if any.
- Dissipate static electricity before installation. Failure to observe this precaution may result in ESD (electrostatic discharge) damage.
- The appropriate screw tightening torque: M3: 0.59 N·m (6.1 kgf·cm, approx.)  
M4: 1.47 N·m (15.0 kgf·cm, approx.)

<For half-rack 1U devices>

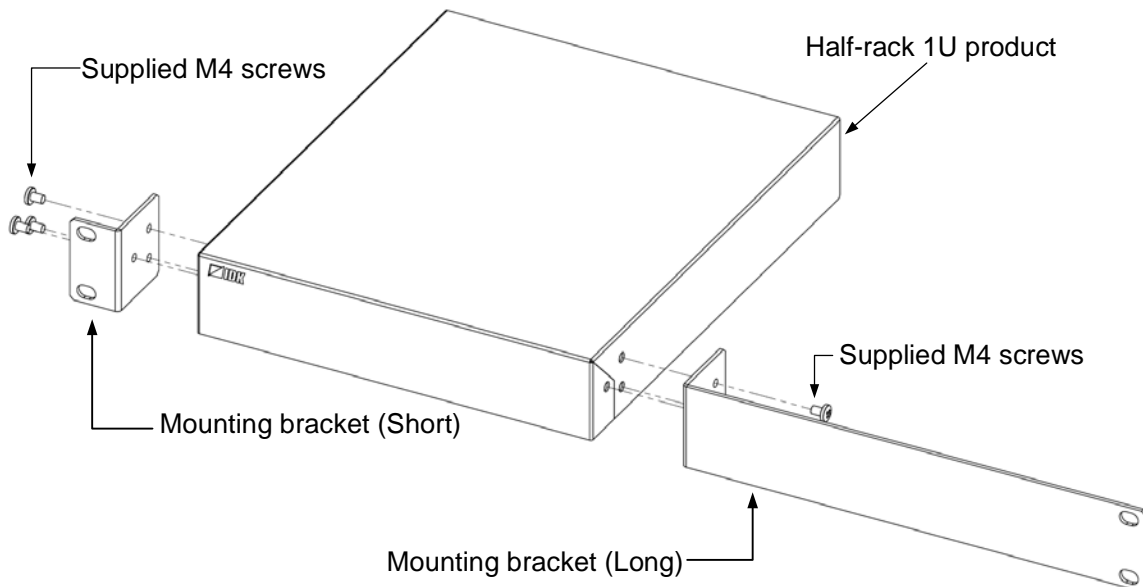
- Some half-rack 1U devices have two (2) screw holes.
- For devices already having screws, remove these screws before installation.



[Fig. 1] Screw holes for mounting

## RM-44S

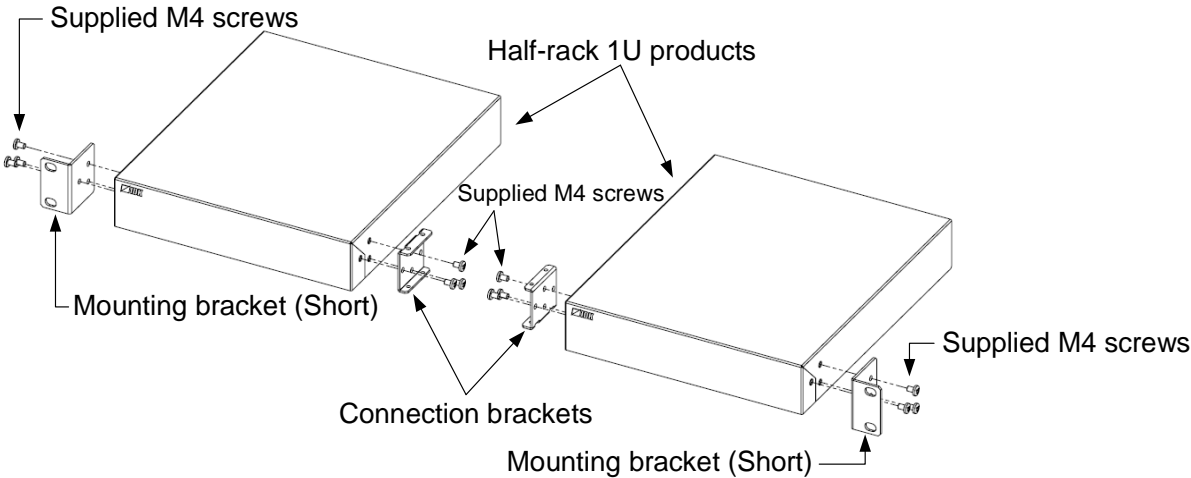
Attach the RM-44S mounting brackets (short and long) to the half-rack 1U device using the supplied M4 screws.



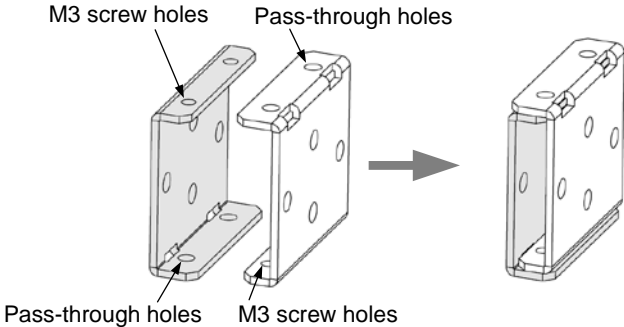
[Fig. 2] Attaching RM-44S brackets

**RM-44D**

- 1. Attach the RM-44D mounting brackets (short) and connection brackets to the half-rack 1U device using the supplied M4 screws.

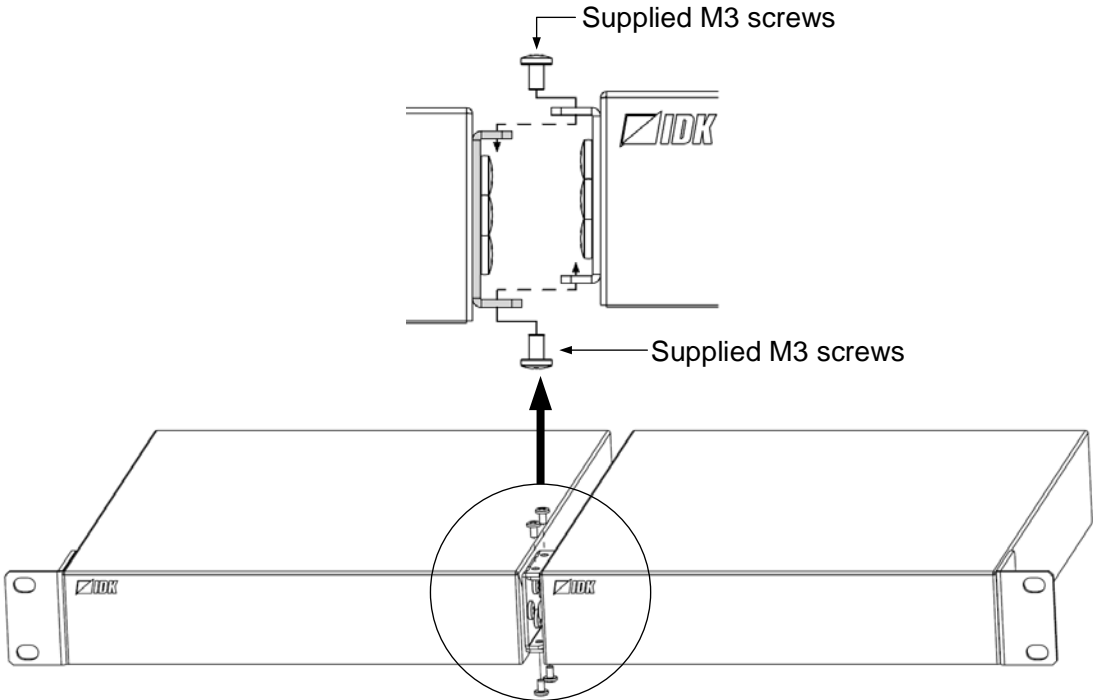


**[Fig. 3] Attaching RM-44D brackets**



**[Fig. 4] RM-44D Connection brackets**

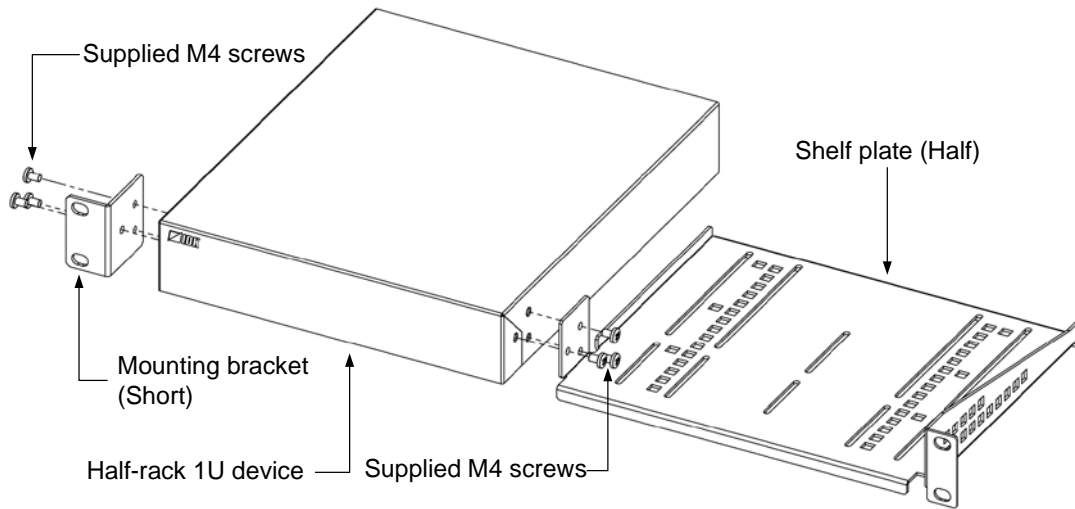
- 2. Connect the connection brackets using the supplied M3 screws.



**[Fig. 5] Connecting half-rack 1U devices**

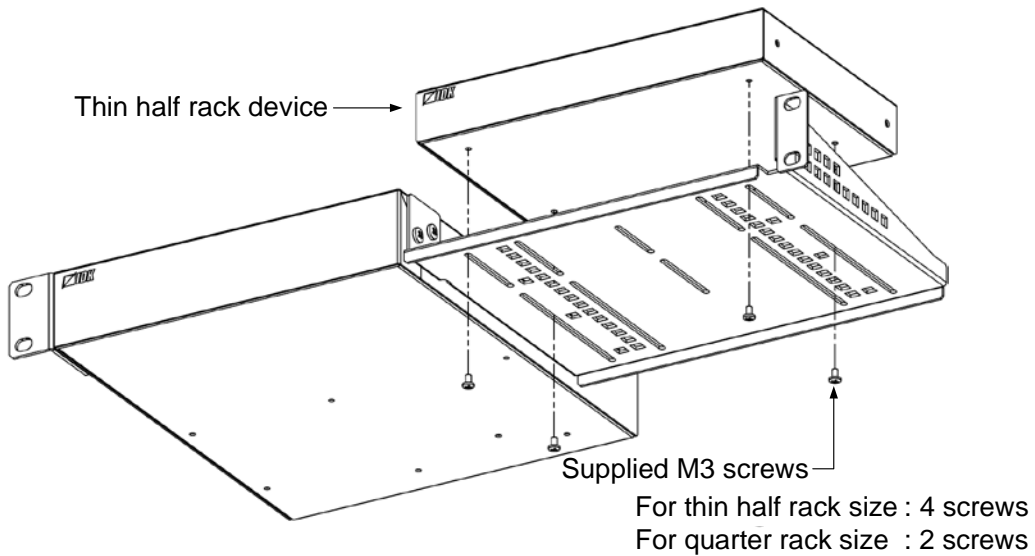
## RM-SH

1. Attach the RM-SH shelf plate (half) to the half-rack 1U device using the supplied M4 screws.



**[Fig. 6] Attaching RM-SH plate**

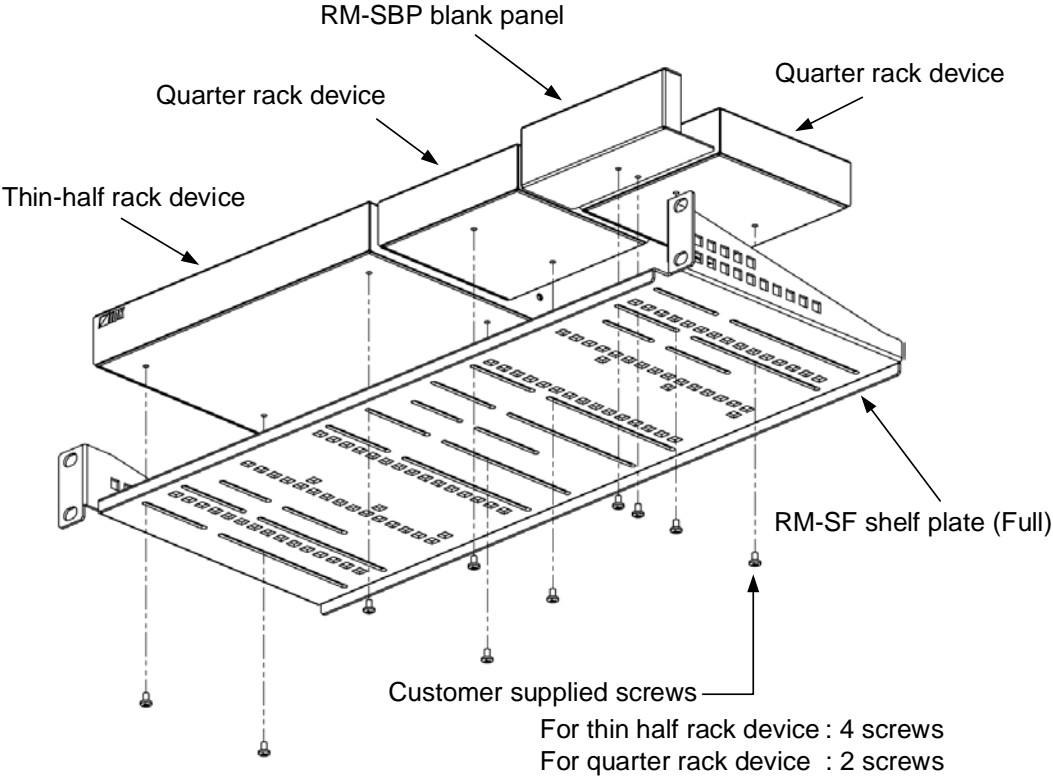
2. Mount the device to the RM-SH shelf plate (half) using the supplied M3 screws as shown below. One (1) thin half rack device or two (2) quarter-rack devices can be mounted to one (1) RM-SH shelf plate (half).



**[Fig. 7] Mounting device to RM-SH shelf plate (half)**

**RM-SF**

Mount the device to the RM-SF shelf plate (full) using the supplied M3 screws as shown below. Two (2) thin-profile, half rack devices or four (4) quarter-rack devices can be mounted to one (1) RM-SF shelf plate.



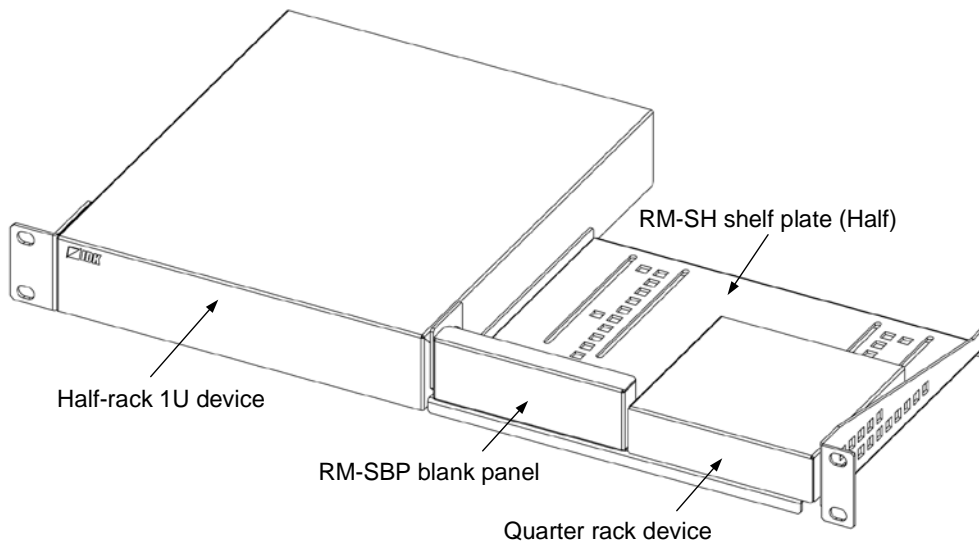
**[Fig. 8] Attaching RM-SF plate**

## RM-SBP

Attach the RM-SBP blank panel to the RM-SH shelf plate (half) using the supplied M3 screws. One (1) RM-SBP blank panel is used for quarter rack size; two (2) RM-SBP blank panels are used for half rack size.

### ■ Combination example 1

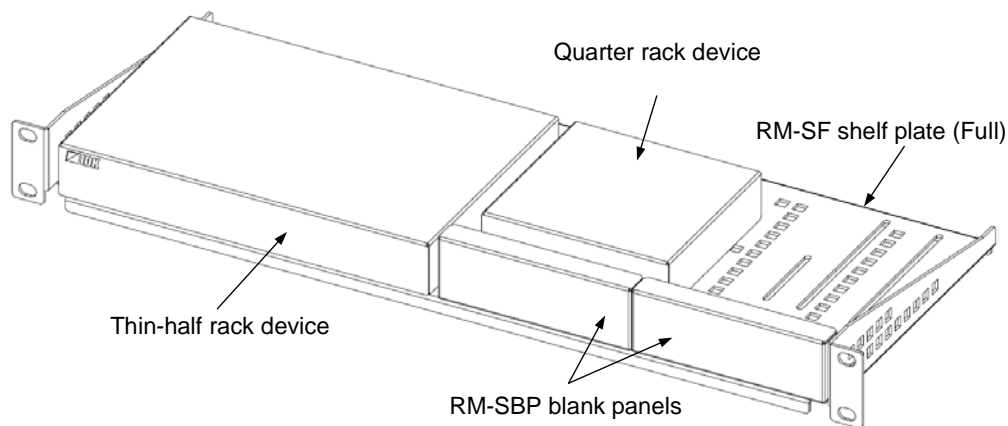
RM-SBP blank panel + RM-SH shelf plate (half)



[Fig. 9] RM-SH + RM-SBP

### ■ Combination example 2

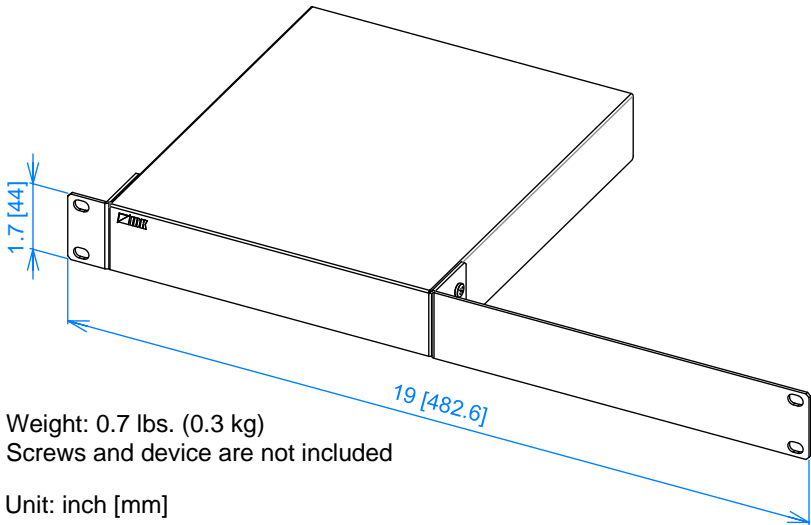
RM-SBP blank panel + RM-SF shelf plate



[Fig. 10] RM-SBP + RM-SF

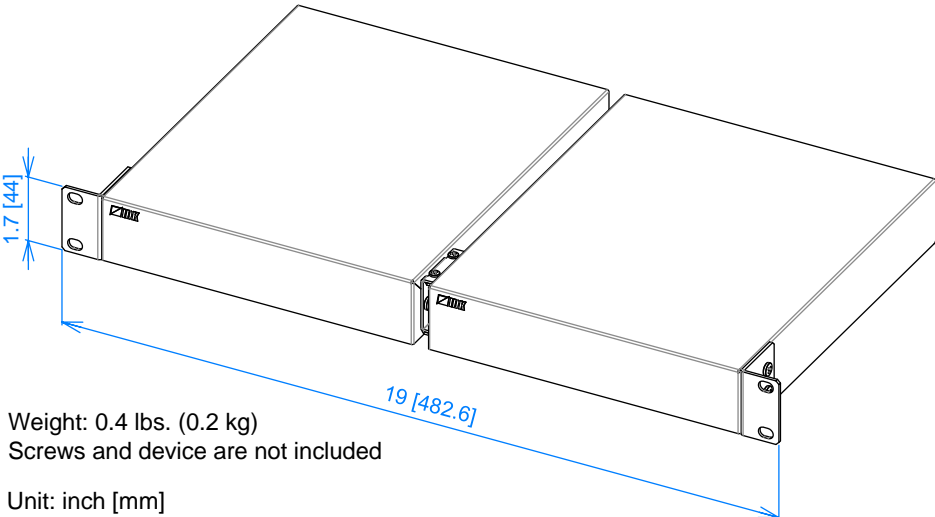
# Dimension and weight

## ■ RM-44S



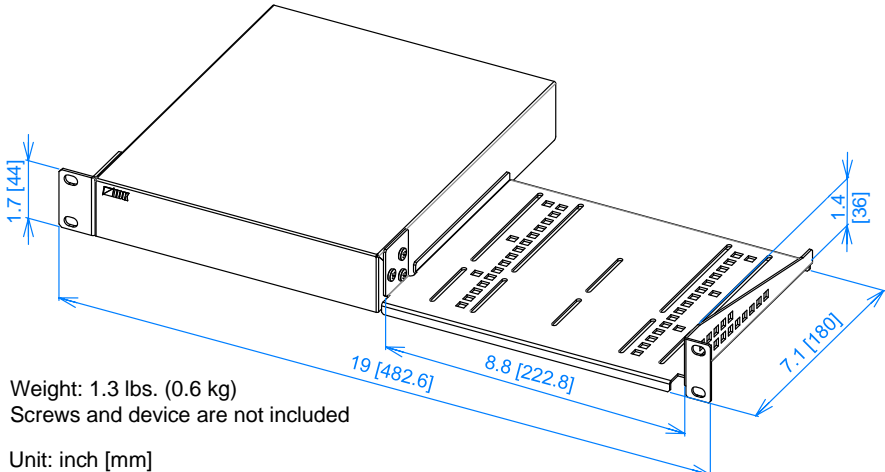
[Fig. 11] RM-44S

## ■ RM-44D



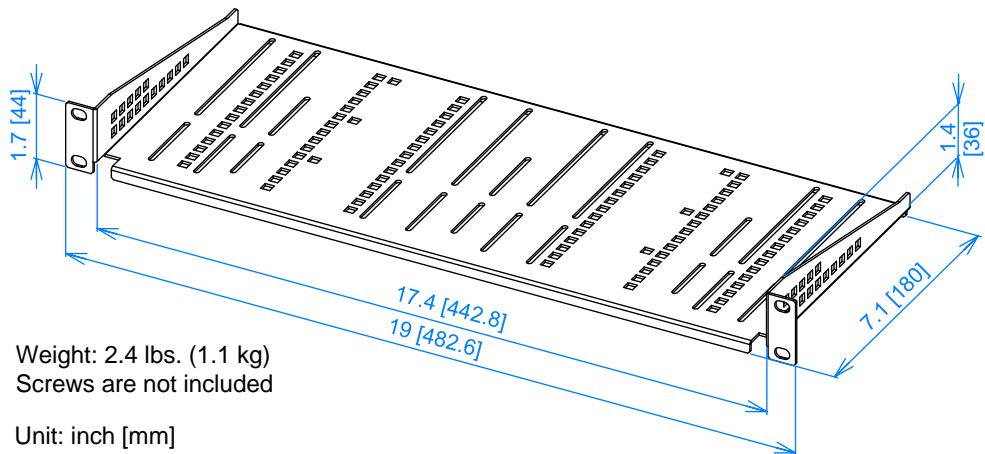
[Fig. 12] RM-44D

## ■ RM-SH



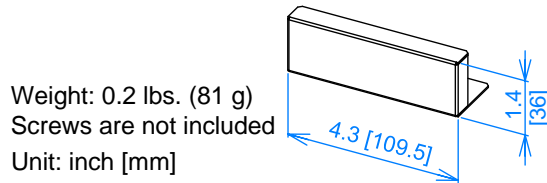
[Fig. 13] RM-SH

■ RM-SF



[Fig. 14] RM-SF

■ RM-SBP



[Fig. 15] RM-SBP



---

User Guide of RM Series  
Ver.2.0.0  
Issued on: 23 January 2019

---



**Headquarters** IDK Corporation  
7-9-1 Chuo, Yamato-shi, Kanagawa-pref.  
242-0021 JAPAN  
TEL: +81-46-200-0764 FAX: +81-46-200-0765  
Email: [idk\\_eng@idk.co.jp](mailto:idk_eng@idk.co.jp) URL: <http://www.idkav.com>

**USA** IDK America Inc.  
72 Grays Bridge Road Suite 1-C, Brookfield, CT 06804  
TEL: +1-203-204-2445  
Email: [sales@idkav.com](mailto:sales@idkav.com) URL: <http://www.idkav.com>

**Europe** IDK Europe GmbH  
Lise-Meitner-Str. 6, D-40878 Ratingen  
TEL: +49-2102-578-301-0  
Email: [info@idkav.eu](mailto:info@idkav.eu) URL: <http://www.idkav.com>



**Product information Support** Arvanics Corporation  
7-9-1 Chuo, Yamato-shi, Kanagawa-pref.  
242-0021 JAPAN  
TEL: +81-46-259-6920 FAX: +81-46-259-6930  
Email: [info@arvanics.com](mailto:info@arvanics.com) URL: <http://www.arvanics.com>

Information in this document is subject to change without notice.  
©2019 IDK Corporation, all rights reserved. All trademarks mentioned are the property of their respective owners.