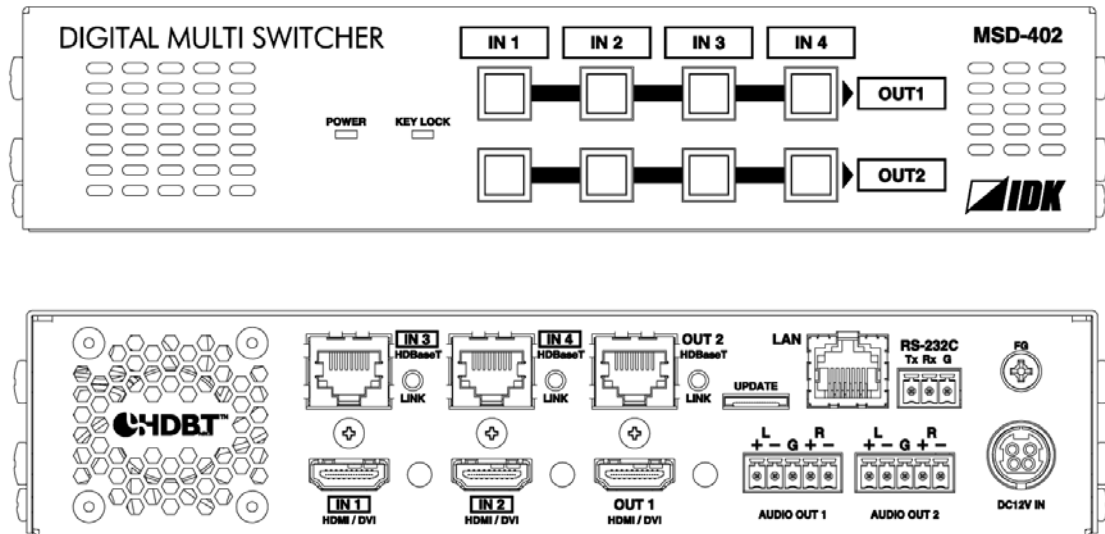


Others	Power	Input: 100 - 240 VAC \pm 10%, 50 Hz / 60 Hz \pm 3 Hz Output: 12 VDC 3 A (power supply unit is supplied)
	Power consumption	About 29 Watts
	Dimensions	8.27 x 1.73 x 9.84"/ 210 (W) x 44 (H) x 250 (D) mm (EIA rack 1/2U size, not including projections)
	Weight	4.19 lbs. approx. / 1.9 kg
	Temperature	Operating: 32 °F to 104 °F / 0 °C to +40 °C Storage: -4 °F to +176 °F / -20 °C to +80 °C
	Humidity	Operating / Storage humidity: 20% to 90% (Non Condensing)

- *1 30 bit/pixel (10 bit/component) Deep Color is supported while xvYCC, Lip Sync, 3D, ARC and HEC are not supported.
- *2 Only HDBaseT output does not support HDCP-compliant DVI signals.
- *3 RJ-45 (HDBaseT connector) is only for Cat5e / Cat6 twisted pair cable. Please do not use it for LAN devices or the like.
- *4 T568A or T568B straight. For transmission longer than 164 ft. (50 m), Cat6 UTP/STP cable is recommended.
- *5 The extension distance depends on the connected I/O devices. The distance mentioned above is the maximum extension range acquired when IDK's AWG24 cable was used and signals of 1080p@60 24 bit / pixel (8 bit / component) was input or output. With some I/O combinations, and if you use cables of other manufacturer, video may be disturbed or may not be output even if signals are within the range mentioned above.
- *6 If connected to a device whose status is significantly bad, video signal can be unstable or cannot be output. Check the operation beforehand or contact us.
- *7 Seamless switching with a black frame.
- *8 The anti-snow feature automatically fixes snow noise that is a specific symptom of HDCP-compliant signals and mainly occurs at start-up. This feature does not work when snow noise has already occurred during startup or when it occurs due to a bad condition of the transmission line.
- *9 For digital systems, some problems, such as an HDCP authentication error, can often be recovered by physically disconnecting and reconnecting the digital cables. However, the Connection Reset feature will fix these problems automatically without the need to physically plug and unplug the cables. It creates the same condition as if the cable were physically disconnected and reconnected. This feature only works for the MSD's output. If other devices are connected between the MSD's output and sink device, this feature may be invalid.

■ Front and rear panel

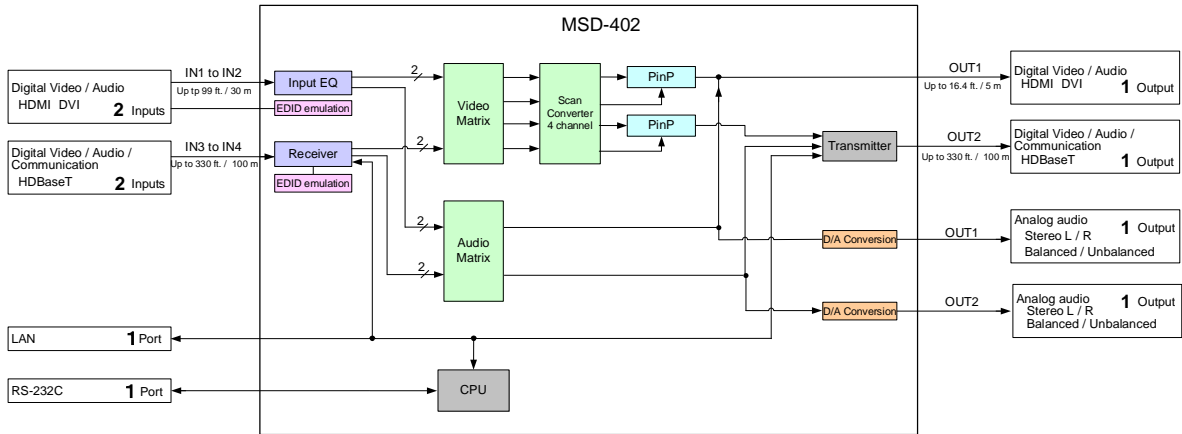


● All specifications and drawings are subject to change without notice. ● Please do not use the supplied AC adapter and power supply cable for other products. ● The terms HDMI and HDMI High-Definition Multimedia Interface, and the HDMI Logo are trademarks or registered trademarks of HDMI Licensing, LLC in the United States and other countries. ● PLink is a trademark in Japan, the United States, and other countries/regions. ● HDBaseT™ and the HDBaseT Alliance Logo are trademarks of the HDBaseT Alliance. ● The terms Anti-snow and Connection Reset are registered trademarks of IDK Corporation in Japan ● All other company and product names mentioned in this document are either registered trademarks or trademarks of their respective owners. In this document, the “@” or “™” marks may not be specified.

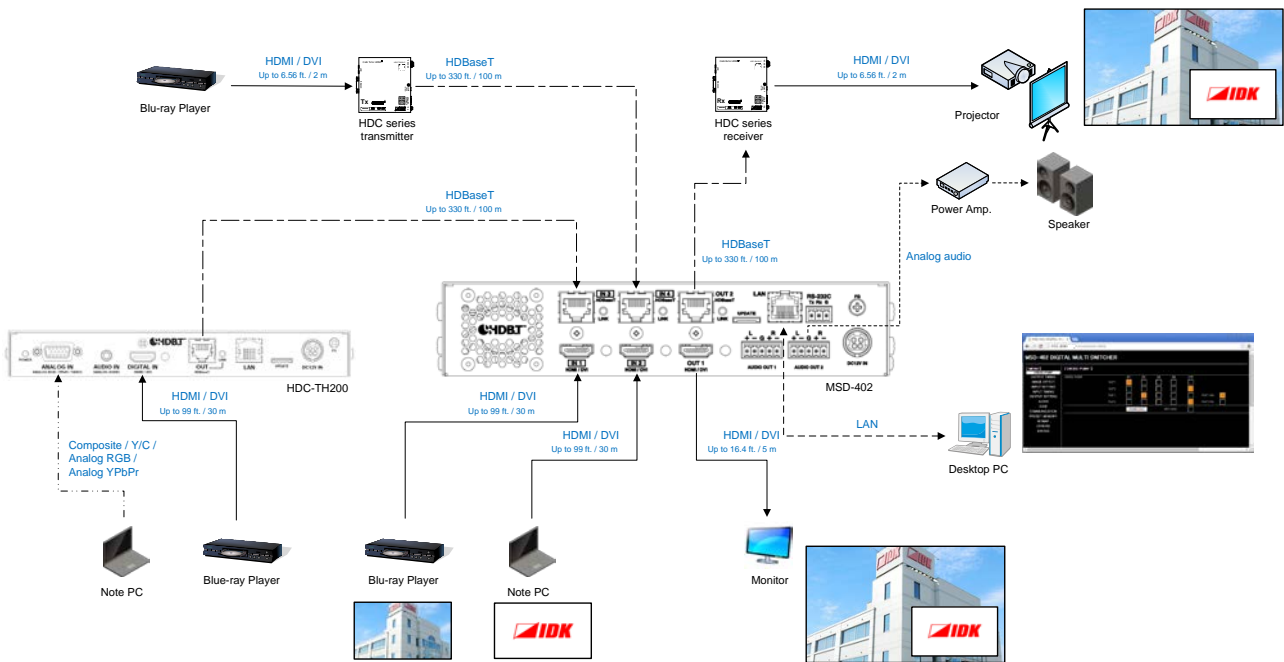


Presentation switcher MSD-402 Diagram and Features

■ Diagram



■ Sample connection diagram



● All specifications and drawings are subject to change without notice. ● Please do not use the supplied AC adapter and power supply cable for other products. ● The terms HDMI and HDMI High-Definition Multimedia Interface, and the HDMI Logo are trademarks or registered trademarks of HDMI Licensing, LLC in the United States and other countries. ● P.JLink is a trademark in Japan, the United States, and other countries/regions. ● HDBaseT™ and the HDBaseT Alliance Logo are trademarks of the HDBaseT Alliance. ● The terms Anti-snow and Connection Reset are registered trademarks of IDK Corporation in Japan ● All other company and product names mentioned in this document are either registered trademarks or trademarks of their respective owners. In this document, the “®” or “™” marks may not be specified.

[Features]**■ Video**

- Up to QWXGA (RB)^{*1} or 1080p
- HDMI input cable EQ
 - INPUT: up to 33 ft. to 99 ft. approx. / 10 m to 30 m
- Up to 328.08 ft. approx. / 100 m extension over a Cat6 cable
- Scan converter
- Picture in Picture (PinP) function
- Aspect control
- Seamless switching^{*2}
- Anti-snow

■ Audio

- Digital audio de-embedded
- Audio level adjustment for each input/output.

■ Control input

- RS-232C, LAN

■ Others

- EDID emulation (with copy function)
- Web browser for all settings
- Automatic input channel switching
- Crosspoint memory
- Preset memory
- Last memory
- Connection reset
- Key lock
- AC adapter mechanical lock

*1 (RB) = Reduced Blanking

*2 A black frame is displayed at the time of switching