

Fixed focus lens

This fixed-focus lens is designed for use with Panasonic's applicable projectors. The short-throw lens is ideal for rear projection.

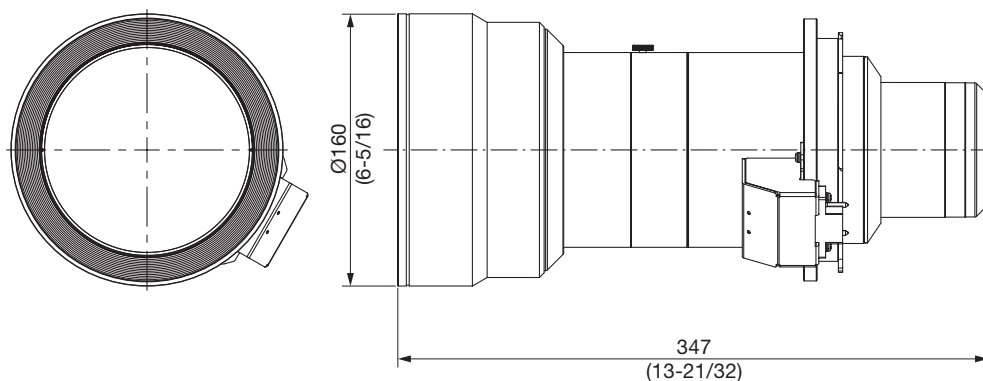
NOTE: Please use the lens only on the specified Panasonic projector.

Specifications

F value:	2.5
Focal distance (f):	14.8 mm
Throw ratio:	0.746:1 for PT-RQ32K/RQ13K (16:10 aspect ratio) 0.694:1 for PT-RZ31K/RZ21K/RZ12K/DZ21K2/DZ21K/ DZ13K/DZ10K (16:10 aspect ratio) 0.752:1 for PT-RS30K/RS20K/RS11K/DS20K2/DS12K (4:3 aspect ratio)
Lens ID	Compatible models : PT-RQ32K/PT-RZ31K/PT-RS30K/PT-RZ21K/PT-RS20K
Dimensions (W × H × D):	160 × 160 × 347 mm (6-5/16 × 6-5/16 × 13-21/32 inches)
Weight:	Approximately 7.1 kg* (15.7 lbs*)
Applicable projector	[Group A] PT-DZ21K2/DS20K2/DW17K2/DZ16K2 [Group B] PT-DZ13K/DS12K/DW11K/DZ10K [Group C] PT-RZ12K/RS11K PT-RQ13K [Group D] PT-RZ21K/RS20K [Group E] PT-RZ31K/RS30K PT-RQ32K

*Average value. May differ depending on the actual unit.
The throw ratio is an approximate value calculated by dividing the screen width by the projection distance.

Dimensions

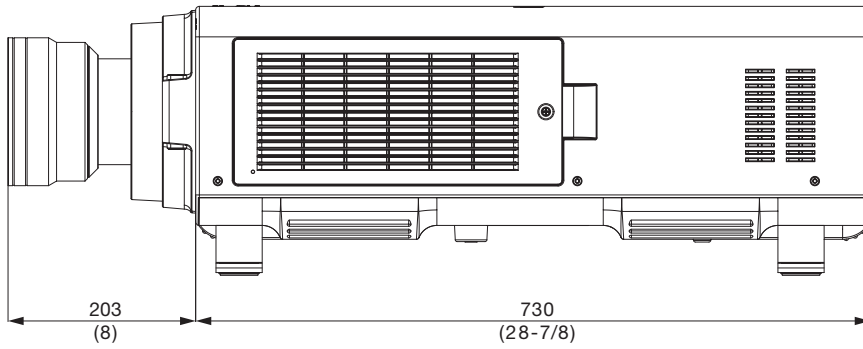


unit : mm (inch)
NOTE: This illustration is not drawn to scale.

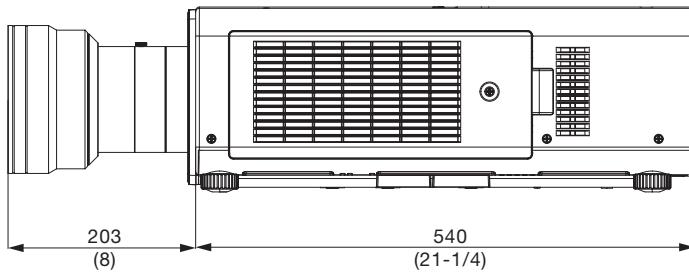
NOTE: Please read the projector's instruction manual for throw distances.
Weights and dimensions shown are approximate. Specifications subject to change without notice.

Fixed focus lens

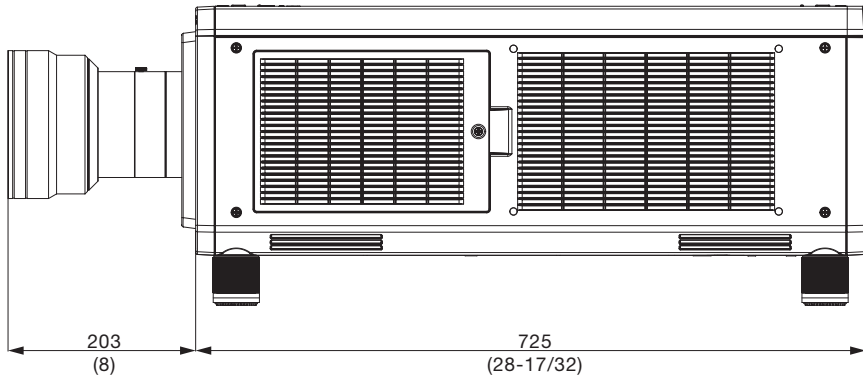
[Group A]



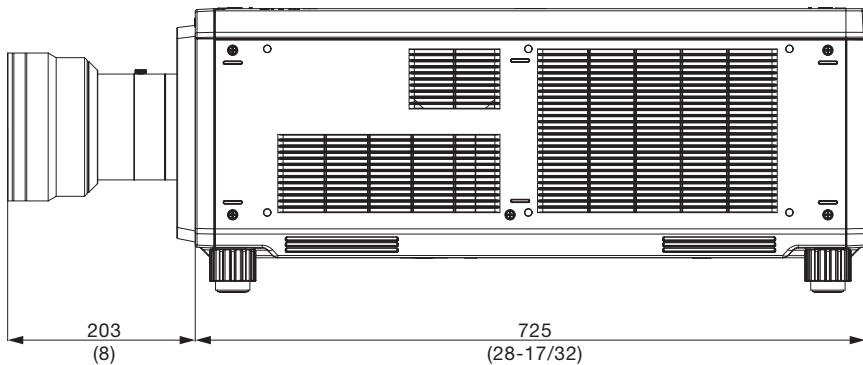
[Group B]



[Group C]



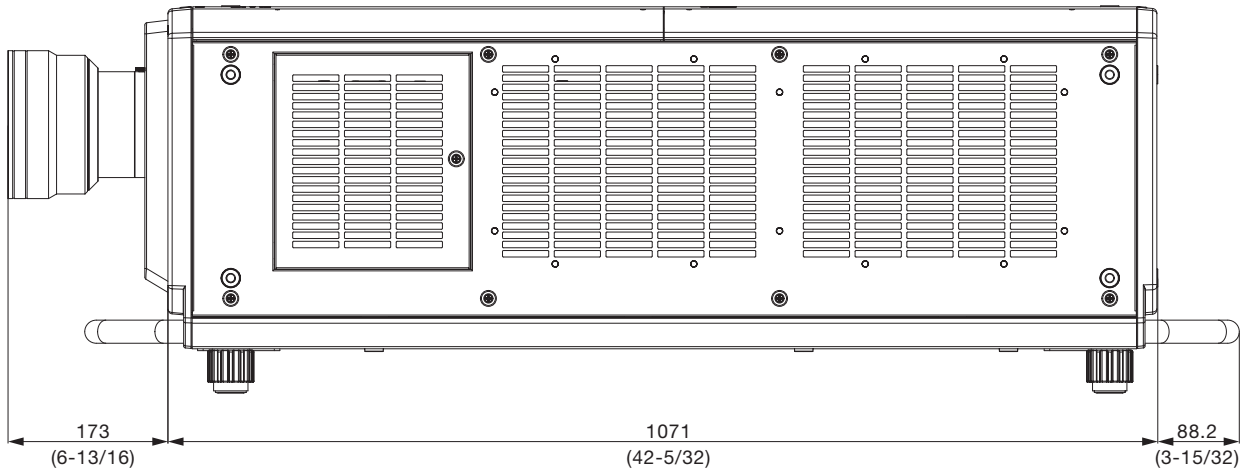
[Group D]



unit : mm (inch)
NOTE: This illustration is not drawn to scale.

NOTE: Please read the projector's instruction manual for throw distances.
Weights and dimensions shown are approximate. Specifications subject to change without notice.

[Group E]



unit : mm (inch)
 NOTE: This illustration is not drawn to scale.

NOTE: Please read the projector's instruction manual for throw distances.
 Weights and dimensions shown are approximate. Specifications subject to change without notice.