

This zoom lens is designed for use with Panasonic's applicable projectors.

\*Please use the lens only on the specified Panasonic projector.

**Specifications**

F value	1.84 ~ 2.24
Focal distance (f)	15.3 mm ~ 21.1 mm (19/32 ~ 27/32 inches)
Throw ratio	0.690~0.950:1 for PT-MZ16KL/MZ13KL/MZ10KL (16:10 aspect ratio) 0.690~0.950:1 for PT-MZ16KL/MZ13KL/MZ10KL (16:9 aspect ratio) 0.830~1.15:1 for PT-MZ16KL/MZ13KL/MZ10KL (4:3 aspect ratio)
Dimensions (W × H × D)	178.5 × 175 × 283.3 mm (7-1/32 × 6-57/64 × 11-5/32 inches)
Weight	5.05 kg (11.13 lbs)
Applicable projector	PT-MZ16KL/MZ13KL/MZ10KL

**Dimensions**

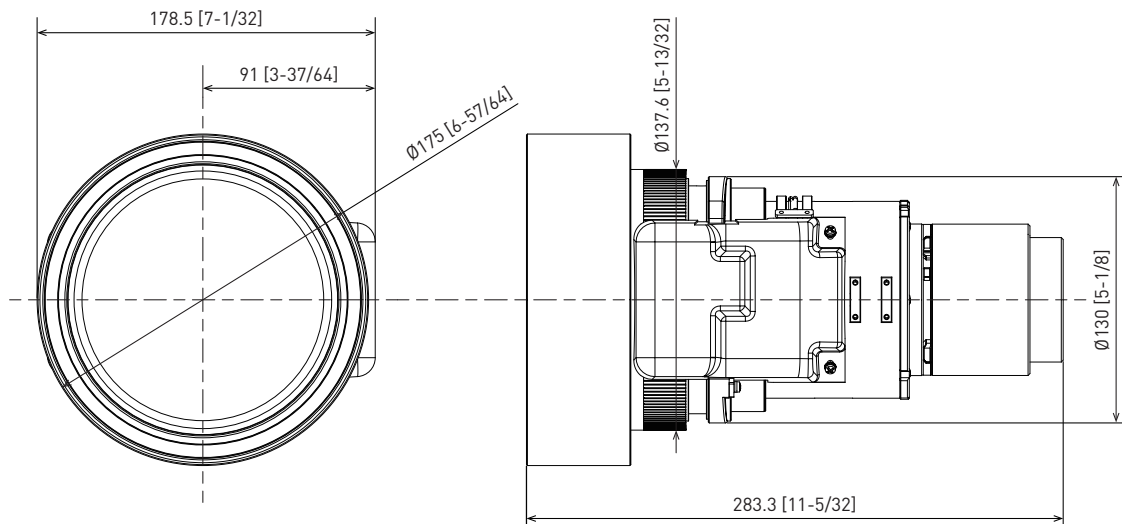
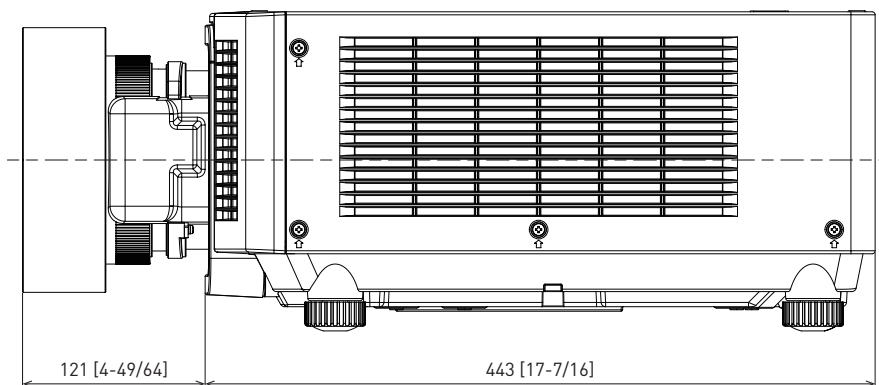


Figure attached to the [PT-MZ16KL/MZ13KL/MZ10KL] projector



unit : mm [inch]

This illustration is not drawn to scale.  
Please read the projector's instruction manual for throw distances.  
Weights and dimensions shown are approximate. Specifications subject to change without notice.