

## Specifications

### Main unit

|  |   |  |                                 |
|--|---|--|---------------------------------|
| Power supply   |   | AC 100V-240V, 50Hz/60Hz  |                                 |
| Power consumption <sup>1</sup>                         | Maximum power consumption                                   |  |                                 |
|  | On-mode power consumption (Operating mode)                  | [Normal]   | 760 W (7.7A-3.2A) (770VA) (TBD) |
|  |   | [Eco]  | 600 W (TBD)                     |
|  |   | [QUIET]  | 475 W (TBD)                     |
| Standby mode power consumption                         | [Normal]  | 470 W (TBD)  |                                 |
|  | [Eco]   | 12 W   |                                 |
| BTU value  |   | Max 2,594 BTU (TBD)  |                                 |
| DLP™ chip  | Size  | [0.8 in] diagonal (16:10 aspect ratio)   |                                 |
|  | Display system  | DLP™ chip x 1  |                                 |
|  | Number of pixels  | 2,304,000 pixels (1920 x 1200 dots)  |                                 |
| Refresh rate   |   | 240 Hz Refresh rate varies depending on scanning frequency.  |                                 |
| Light source   |   | Laser diode  |                                 |
| Light output <sup>1</sup>                              | Operation mode  | [Normal]   | 8,000 lm                        |
|  |   | [Eco]  | 6,400 lm                        |
|  |   | [QUIET]  | 6,400 lm                        |
| Time until light output declines to 50% <sup>2</sup>   | Operation mode  | [Normal]   | 20,000 hours                    |
|  |   | [Eco]  | 24,000 hours                    |
|  |   | [QUIET]  | 20,000 hours                    |
| Resolution   |   | 4K (3840 x 2400 dots) (Quad Pixel Drive: ON)   |                                 |
| Contrast ratio <sup>1</sup>                            |   | 20,000:1 (All White/All Black, Dynamic Contrast [3])   |                                 |
| Screen size (diagonal)                                 |   | [70-700 in] with standard lens (C1S600)  |                                 |
| Center to corner zone ratio <sup>1</sup>               |   | 90%  |                                 |
| Lens   | PT-REQ80B/REQ80W  | Powered zoom/focus lenses (TR:1.36-2.10:1), F Value (1.84-2.31)  |                                 |
|  | PT-REQ80LB/REQ80LW  | Optional powered zoom/focus lenses   |                                 |
| Lens shift (From the origin point of the lens mounter) | Vertical  | (Max) ±60% (with ET-C1W400, ET-C1W500, ET-C1S600, ET-C1T700) (powered)<br>(Max) ±50% (with ET-C1U100, ET-C1W300) (powered)   |                                 |
|  | Horizontal  | (Max) ±29% (with ET-C1W400, ET-C1W500, ET-C1S600, ET-C1T700) (powered)<br>(Max) ±23% (with ET-C1U100, ET-C1W300) (powered)   |                                 |
| Installation   |   | Ceiling/floor, front/rear, free 360-degree installation  |                                 |
| Compatible Signal                                      | HDMI signal input   | Moving image signal resolution: 480/60p, 576/50p to 4096 x 2160<br>Still image signal resolution: 640 x 480 to 3840 x 2400<br>Dot clock frequency: 25.2 MHz to 594 MHz |                                 |
|  | DisplayPort   | Moving image signal resolution: 720/60p to 4096 x 2160<br>Still image signal resolution: 640 x 480 to 3840 x 2400<br>Dot clock frequency: 25.2 MHz to 594 MHz          |                                 |
|  | DIGITAL LINK <sup>4</sup> signal input                      | Moving image signal resolution: 480/60p, 576/50p to 4096 x 2160<br>Still image signal resolution: 640 x 480 to 3840 x 2400<br>Dot clock frequency: 25.2 MHz to 297 MHz |                                 |
|  | SDI signal input  | HD-SDI signal<br>3G-SDI signal<br>12G-SDI signal <sup>3</sup>  |                                 |
| Terminals  | <HDMI 1 IN><br><HDMI 2 IN>                                  | HDMI x 2<br>Deep Color, compatible with HDCP2.3, 4K/60p signal <sup>5</sup>  |                                 |
|  | <DisplayPort IN>  | DisplayPort x 1<br>Deep Color, compatible with HDCP 2.3, 4K/60p signal <sup>5</sup>  |                                 |
|  | <MULTI PROJECTOR SYNC IN>                                   | BNC x 1<br>TTL high impedance  |                                 |
|  | <MULTI PROJECTOR SYNC OUT>                                  | BNC x 1<br>TTL output: Maximum 10 mA   |                                 |
|  | <SERIAL IN>   | D-sub 9-pin (female) x 1<br>for external control (RS-232C compliant)   |                                 |
|  | <SERIAL OUT>  | D-sub 9-pin (male) x 1<br>for link control (RS-232C compliant)   |                                 |
|  | <REMOTE 1 IN>   | M3 stereo mini-jack x 1<br>for wired remote control  |                                 |
|  | <REMOTE 1 OUT>  | M3 stereo mini-jack x 1<br>for link control (for wired remote control)   |                                 |
| <REMOTE 2 IN>  | D-sub 9-pin (female) x 1<br>for external control (parallel) |  |                                 |

|                                     |                       |  |
|-------------------------------------|-----------------------|--|
| Terminals                           | <LAN>                 | RJ-45 x 1<br>for network and DIGITAL LINK connections (HDBase™ compliant), 100Base-TX, HDCP 2.3 compatible, Deep Color compatible, 4K/60p signal input <sup>5</sup> , Extron XTP |
|                                     | <USB>                 | USB connector (Type A) x 1<br>for optional AJ-WM50 Series Wireless Module/USB memory stick   |
|                                     | <DC OUT>              | USB connector (Type A) x 1<br>for power supply, DC 5 V, total of 2 A   |
|                                     | <SLOT>                | SLOT x 1<br>for function boards, Intel® SDM compatible   |
| Supported Internet Protocol version |                       | IPv4, IPv6 <sup>8</sup>  |
| Power cord length                   |                       | 3.0 m [118 1/8 in]   |
| Cabinet materials                   |                       | Molded plastic   |
| Dimension                           | Width                 | 498 mm [19 5/8 in] (excluding protrusions)   |
|                                     | Height                | 212 mm [8 3/8 in] (with the feet at shortest position)<br>196 mm [7 11/16 in] (excluding feet)   |
|                                     | Depth                 | 538 mm [21 3/16 in] (excluding protrusions)  |
| Weight <sup>6</sup>                 | PT-REQ80B/REQ80W      | Approx. 28.8 kg (63.5 lbs) (with lens)   |
|                                     | PT-REQ80LB/REQ80LW    | Approx. 26.9 kg (59.3 lbs) (without lens)  |
| Operating noise <sup>1</sup>        | [Normal]              | 35 dB  |
|                                     | [Eco]                 | 35 dB  |
|                                     | [Quiet]               | 32 dB  |
| Laser Classification                | Laser Class           | Class 1 (IEC/EN 60825-1:2014)<br>China: Class 4 (IEC60825-1:2007)  |
|                                     | Risk Group            | Risk Group 3 (IEC 62471-5:2015)  |
| Operating environment               | Operating temperature | 0-45 °C (32-113 °F) <sup>7</sup>   |
|                                     | Operating humidity    | 10-80% (no condensation)   |

### Remote control unit

|                 |        |  |
|-----------------|--------|--|
| Power supply    |        | 3V DC (AAA/R03/LR03 battery x 2)   |
| Operation range |        | Approx. 30 m [98 ft 5 in] (when operated directly in front of signal receiver) |
| Dimensions      | Width  | 48 mm [1 7/8 in]   |
|                 | Height | 145 mm [5 23/32 in]  |
|                 | Depth  | 27 mm [1 1/16 in]  |
| Weight          |        | Approx. 102 g (3.60 ozs.) including batteries                                  |

### Supplied accessories

- Power cord (x 1) (x 2 for Europe / ASIA models)
- Wireless/wired remote control unit (x 1)
- Batteries for remote control (AAA/R03 or AAA/LR03 battery x 2)
- Lens cover (x 1) (Only models with lens)

### Other Applications

- Multi Monitoring Control Software (for Windows)
- Logo Transfer Software (for Windows)
- Geometry Manager Pro (for Windows)
- Smart Projector Control (for iOS/Android™)
- Projector Network Setup Software (for Windows)

### Supported services of Control via LAN

- Art-net
- PJLink™ (class 2)
- Crestron Connected™ V2
- Crestron XiO Cloud™
- AMX Device Discovery

## Optional accessories

|   |   |   |
|---|---|---|
| Lens  | Zoom lens                                   | ET-C1U100 (0.308-0.330:1)   |
|   |   | ET-C1W300 (0.550-0.690:1)   |
|   |   | ET-C1W400 (0.680-0.950:1)   |
|   |   | ET-C1W500 (0.940-1.39:1)  |
|   |   | ET-C1S600 (1.36-2.10:1)   |
|   |   | ET-C1T700 (2.07-3.38:1)   |
| Ceiling Mount Bracket                             | with 6-axis adjustment for high ceilings    | ET-PKD130H  |
|   | for high ceilings                           | ET-PKD120H  |
|   | for low ceilings                            | ET-PKD120S  |
| Attachment for Ceiling Mount Bracket              |   | ET-PKD130B  |
| Function Board                                    | 12G-SDI Terminal Board                      | TY-SB01QS   |
|   | DIGITAL LINK Terminal Board                 | TY-SB01DL   |
|   | Wireless Presentation System Receiver Board | TY-SB01WP   |
| DIGITAL LINK Switcher                             |   | ET-YFB200G  |
| Digital Interface Box                             |   | ET-YFB100G  |
| Wireless module                                   |   | AJ-WM50 Series<br>Note: Product availability may vary by country or region. The suffix at the end of the model number is omitted. Operating Temperature: 0–40 °C (32–104 °F). |
| Early Warning Software                            |   | ET-SWA100 Series<br>Note: Part number suffix may differ depending on the license type.  |
| NFC Upgrade Kit                                   |   | ET-NUK10<br>Note: Product availability may vary by country or region.   |
| Geometry Manager Pro Upgrade kit (preactivated)   |   | ET-UK20   |
| Auto Screen Adjustment Upgrade kit (preactivated) |   | ET-CUK10/CUK10P   |
| Wireless Presentation System PressIT              |   | TY-WPS1 (basic set)   |

Weights and dimensions shown are approximate. Specifications subject to change without notice.

1 Measurement, measuring conditions, and method of notation all comply with ISO/IEC 21118:2020 international standards.

2 Around this time, light output will have decreased by approximately 50%. IEC62087: 2008 Broadcast contents, NORMAL Mode, Dynamic Contrast [3], under conditions with 30°C (86°F), 700m (2297ft) above sea level, and 0.15 mg/m<sup>3</sup> of particulate matter. Estimated time until light output declines to 50% varies depending on environment.

3 Requires TY-SB01QS Interface Board for 12G-SDI Input.

4 Requires TY-SB01DL Interface Board for DIGITAL LINK.

5 4K/60p signals are converted to the projector's resolution upon projection.

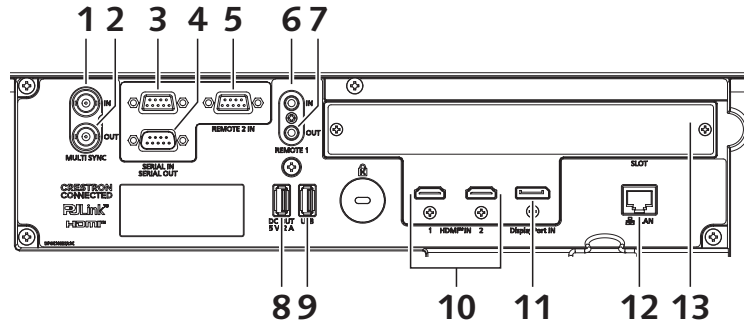
6 Average value. May differ depending on the actual unit.

7 When using the projector at an altitude lower than 2700m (8858ft) above sea level, and the operating environment temperature becomes 35°C (95°F) or higher, the light output may be reduced to protect the projector.

When using the projector at an altitude between 2700m (8858ft) and 4200m (13780ft), and the operating environment temperature becomes 25°C (77°F) or higher, the light output may be reduced to protect the projector.

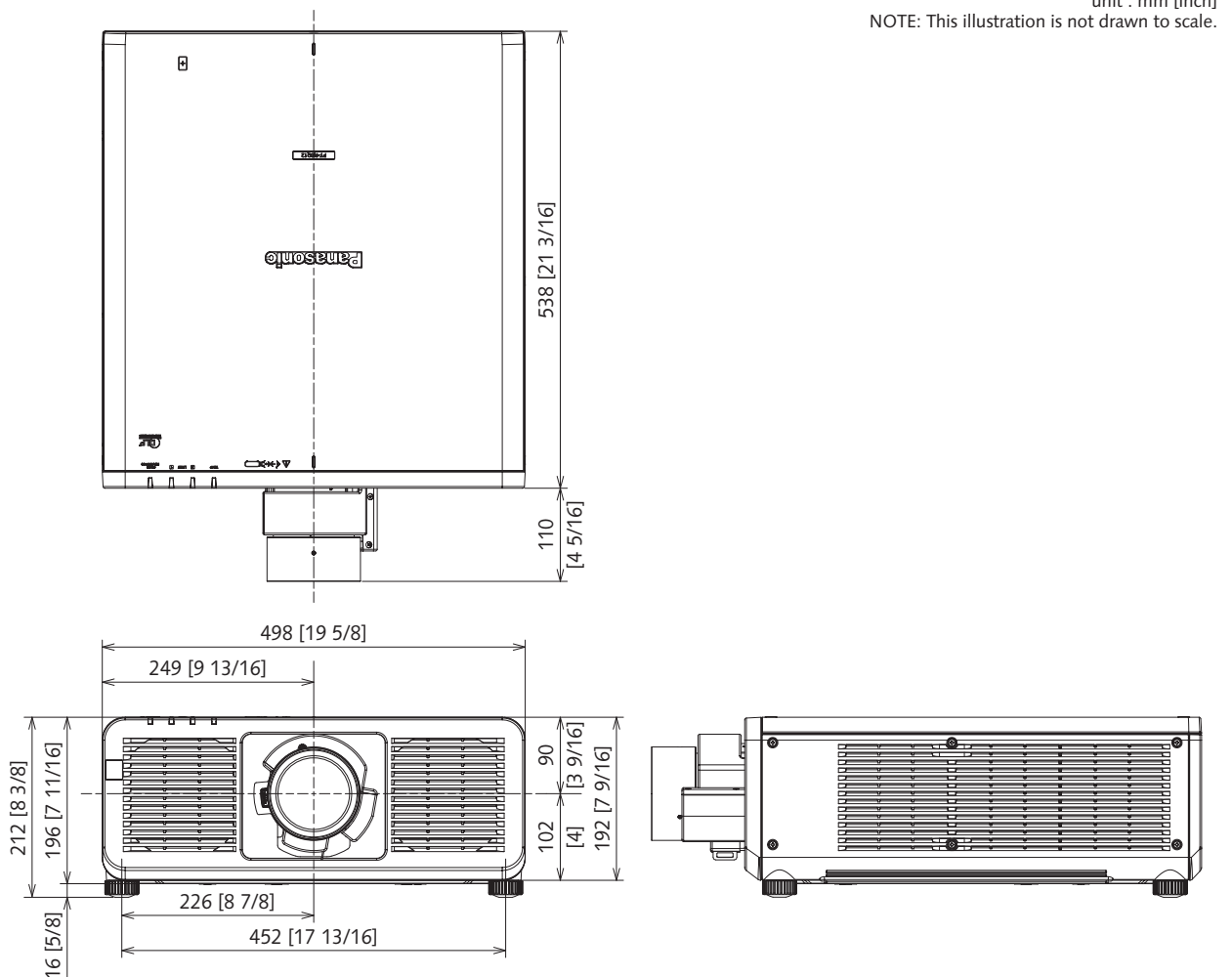
8 Optional wireless module AJ-WM50 only supports IPv4

Terminals



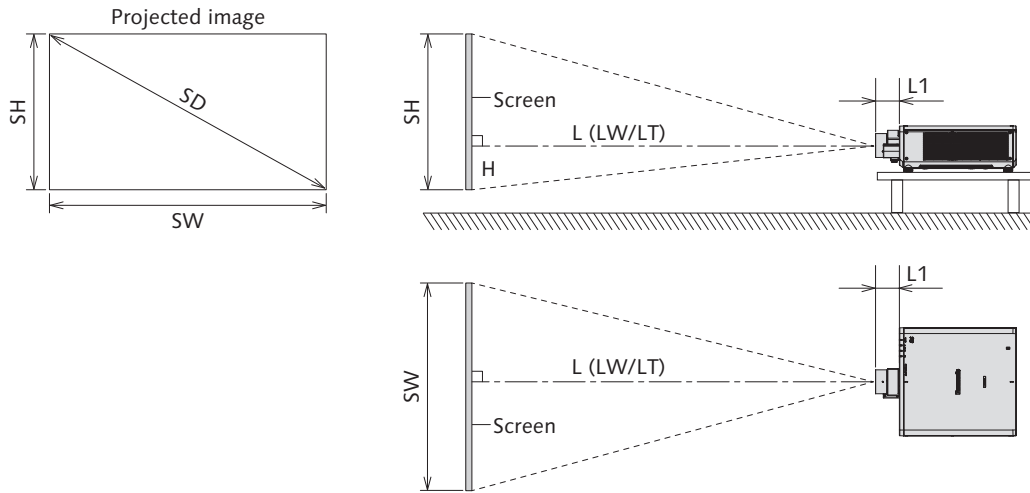
|   |                          |    |                       |
|---|--------------------------|----|-----------------------|
| 1 | MULTI PROJECTOR SYNC IN  | 8  | DC OUT                |
| 2 | MULTI PROJECTOR SYNC OUT | 9  | USB                   |
| 3 | SERIAL IN                | 10 | HDMI 1 IN / HDMI 2 IN |
| 4 | SERIAL OUT               | 11 | DisplayPort IN        |
| 5 | REMOTE 2 IN              | 12 | LAN                   |
| 6 | REMOTE 1 IN              | 13 | SLOT                  |
| 7 | REMOTE 1 OUT             |    |                       |

Dimensions



### Projected image and throw distance

Install the projector referring to the projected image size and projection distance. Image size and image position can be adjusted in accordance with the screen size and screen position.



#### Note

- This illustration is prepared on the assumption that the projected image size and position have been aligned to fit full in the screen.
- This illustration is not drawn to scale.
- The values are approximate.

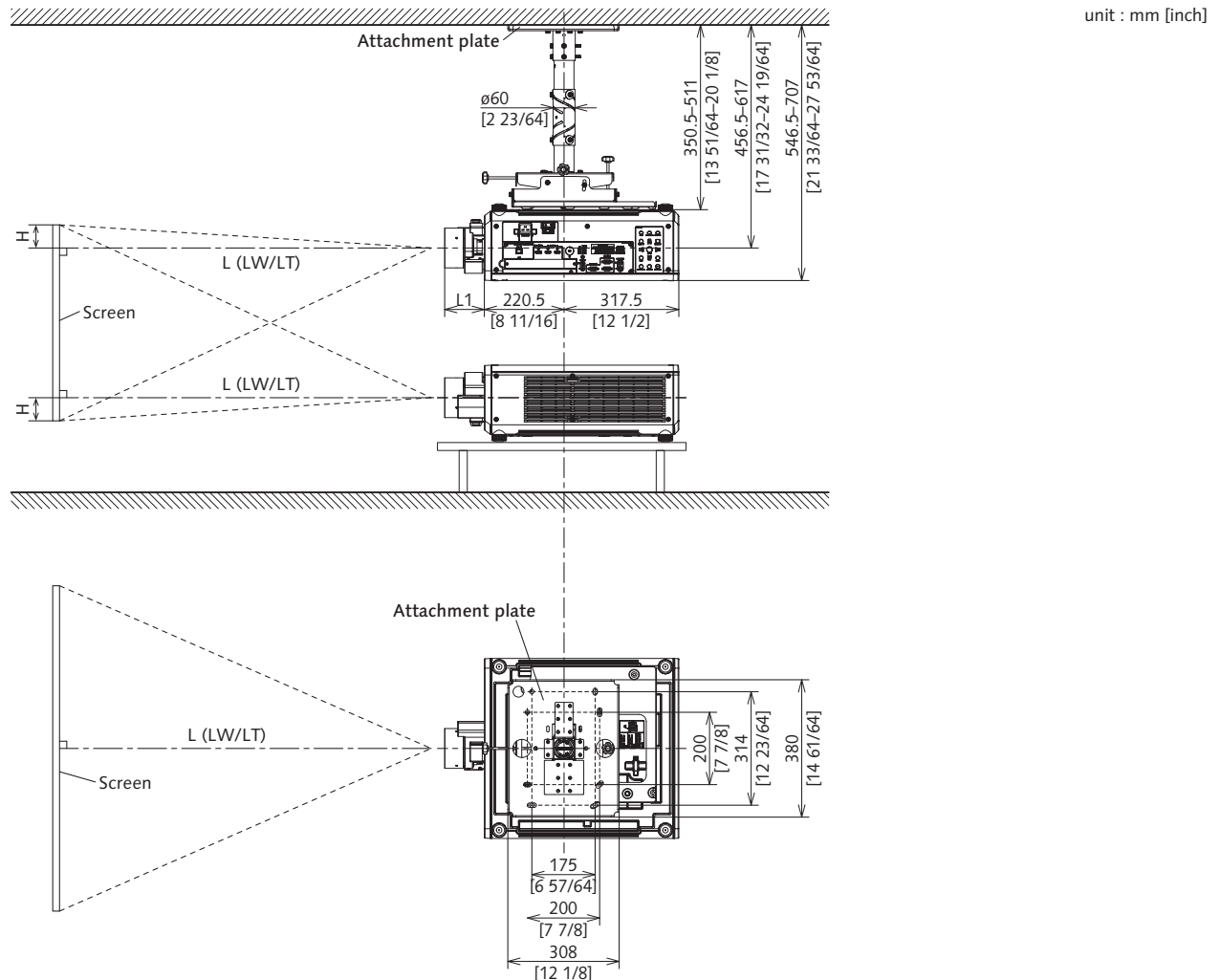
|    |   |
|----|---|
| SH | Projected image height  |
| SW | Projected image width   |
| SD | Projected image size  |
| H  | Distance from the lens center to the bottom edge of the projected image   |
| L  | Projection distance<br>(distance from the front end of the projection lens to the screen)                               |
|    | LW Minimum projection distance when the Zoom Lens is used   |
|    | LT Maximum projection distance when the Zoom Lens is used   |
| L1 | Lens protrusion dimension<br>(distance from the front surface of the projector to the front end of the projection lens) |

unit : mm

| Projection lens Model No.     | Lens protrusion dimension (L1) (approximate value) |
|-------------------------------|--|
| ET-C1W300                     | 151.0  |
| ET-C1W400                     | 148.6  |
| ET-C1W500                     | 144.0  |
| Standard zoom lens/ ET-C1S600 | 110.4  |
| ET-C1T700                     | 159.8  |

### Standard setting position

Illustrations show the projector installed using optional ceiling mountbracket ET-PKD130H, optional bracket assembly ET-PKD130B.



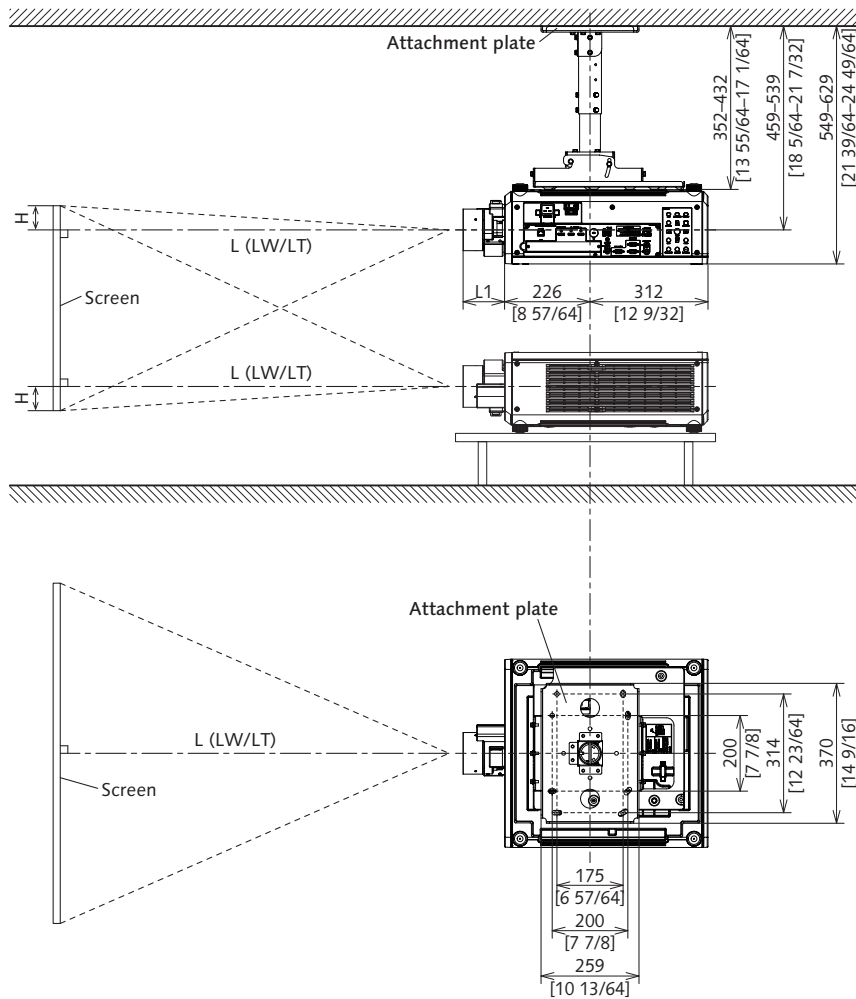
#### Caution

- All construction work should be done by a qualified technician.
- When mounting to the ceiling, use the special mounting bracket.  
Furthermore, in order to prevent it from falling down from the ceiling, use the supplied wire on the mounting bracket.

#### Note

- This illustration is prepared on the assumption that the projected image size and position have been aligned to fit full in the screen.
- This illustration is not drawn to scale.
- The values are approximate.

Illustrations show the projector installed using optional ceiling mountbracket ET-PKD120H, optional bracket assembly ET-PKD130B.

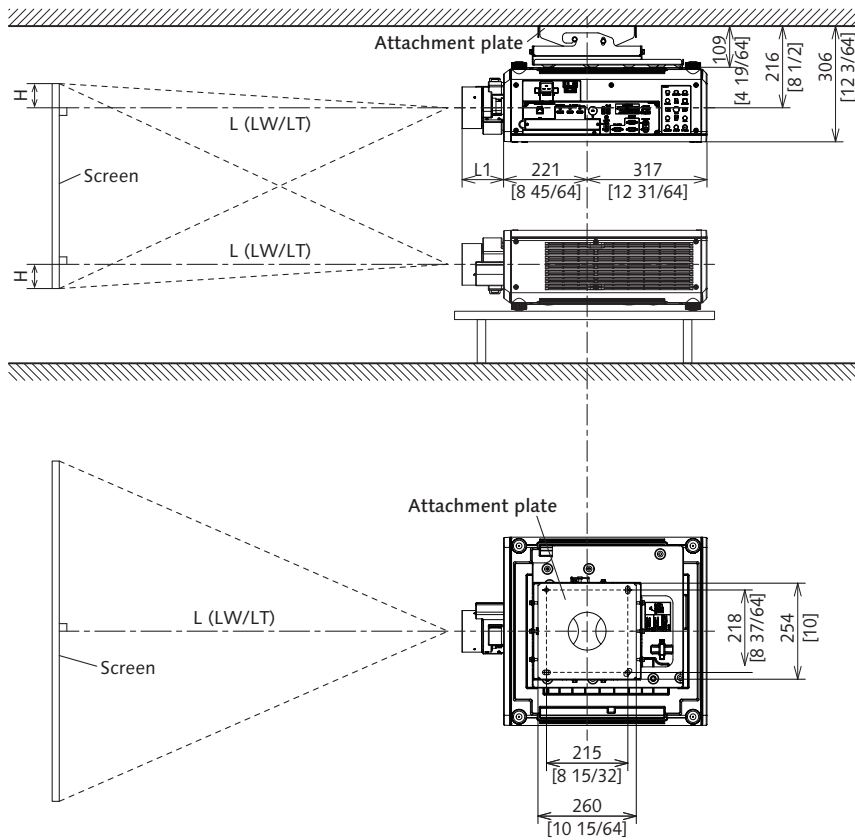
**Caution**

- All construction work should be done by a qualified technician.
- When mounting to the ceiling, use the special mounting bracket.  
Furthermore, in order to prevent it from falling down from the ceiling, use the supplied wire on the mounting bracket.

**Note**

- This illustration is prepared on the assumption that the projected image size and position have been aligned to fit full in the screen.
- This illustration is not drawn to scale.
- The values are approximate.

Illustrations show the projector installed using optional ceiling mountbracket ET-PKD120S, optional bracket assembly ET-PKD130B.

**Caution**

- All construction work should be done by a qualified technician.
- When mounting to the ceiling, use the special mounting bracket.  
Furthermore, in order to prevent it from falling down from the ceiling, use the supplied wire on the mounting bracket.

**Note**

- This illustration is prepared on the assumption that the projected image size and position have been aligned to fit full in the screen.
- This illustration is not drawn to scale.
- The values are approximate.



## Projection distance

A ±5% error in listed projection distances may occur.

When [SCREEN ADJUSTMENT] is used, distance is corrected to become smaller than the specified image size.

Screen aspect ratio 16:10 (4K; 3840 x 2400/ WUXGA; 1920 x 1200)

Unit: meters

| Projection lens Model No. |             | ET-C1W300     |           | ET-C1W400     |           | ET-C1W500    |           | Standard ET-C1S600 |           | ET-C1T700   |           | ET-C1W400<br>ET-C1W500<br>ET-C1S600<br>ET-C1T700 |   | ET-C1W300     |             |
|---------------------------|-------------|---------------|-----------|---------------|-----------|--------------|-----------|--------------------|-----------|-------------|-----------|--|---|---------------|-------------|
| Throw ratio               |             | 0.550-0.690:1 |           | 0.680-0.950:1 |           | 0.940-1.39:1 |           | 1.36-2.10:1        |           | 2.07-3.38:1 |           |  |   |               |             |
| Diagonal (SD)             | Height (SH) | Width (SW)    | Min. (LW) | Max. (LT)     | Min. (LW) | Max. (LT)    | Min. (LW) | Max. (LT)          | Min. (LW) | Max. (LT)   | Min. (LW) | Max. (LT)  | Distance from the lens center to the bottom edge of the projected image (H) |               |             |
|                           |             |               |           |               |           |              |           |                    |           |             |           |  |   | m             | inches      |
| 1.778                     | 70          | 0.942         | 1.508     | 0.819         | 1.029     | 1.010        | 1.421     | 1.408              | 2.081     | 2.031       | 3.147     | 3.092  | 5.070   | -0.09 - 1.04  | 0.00 - 0.94 |
| 2.032                     | 80          | 1.077         | 1.723     | 0.941         | 1.181     | 1.160        | 1.630     | 1.614              | 2.385     | 2.331       | 3.606     | 3.548  | 5.806   | -0.11 - 1.19  | 0.00 - 1.08 |
| 2.286                     | 90          | 1.212         | 1.939     | 1.062         | 1.334     | 1.310        | 1.838     | 1.820              | 2.689     | 2.631       | 4.065     | 4.003  | 6.543   | -0.12 - 1.33  | 0.00 - 1.21 |
| 2.540                     | 100         | 1.346         | 2.154     | 1.184         | 1.486     | 1.460        | 2.047     | 2.026              | 2.993     | 2.930       | 4.523     | 4.458  | 7.279   | -0.14 - 1.48  | 0.00 - 1.35 |
| 3.048                     | 120         | 1.615         | 2.585     | 1.427         | 1.791     | 1.761        | 2.464     | 2.439              | 3.600     | 3.530       | 5.441     | 5.368  | 8.751   | -0.16 - 1.78  | 0.00 - 1.62 |
| 3.810                     | 150         | 2.019         | 3.231     | 1.792         | 2.248     | 2.211        | 3.090     | 3.057              | 4.511     | 4.429       | 6.817     | 6.733  | 10.960  | -0.20 - 2.22  | 0.00 - 2.02 |
| 5.080                     | 200         | 2.692         | 4.308     | 2.400         | 3.010     | 2.962        | 4.133     | 4.087              | 6.030     | 5.927       | 9.110     | 9.008  | 14.641  | -0.27 - 2.96  | 0.00 - 2.69 |
| 6.350                     | 250         | 3.365         | 5.385     | 3.008         | 3.771     | 3.713        | 5.176     | 5.118              | 7.549     | 7.426       | 11.403    | 11.283   | 18.322  | -0.34 - 3.70  | 0.00 - 3.37 |
| 7.620                     | 300         | 4.039         | 6.462     | 3.616         | 4.533     | 4.464        | 6.219     | 6.148              | 9.067     | 8.925       | 13.696    | 13.559   | 22.003  | -0.40 - 4.44  | 0.00 - 4.04 |
| 8.890                     | 350         | 4.712         | 7.539     | 4.224         | 5.295     | 5.215        | 7.262     | 7.179              | 10.586    | 10.423      | 15.990    | 15.834   | 25.684  | -0.47 - 5.18  | 0.00 - 4.71 |
| 10.160                    | 400         | 5.385         | 8.616     | 4.832         | 6.057     | 5.966        | 8.304     | 8.209              | 12.105    | 11.922      | 18.283    | 18.109   | 29.365  | -0.54 - 5.92  | 0.00 - 5.39 |
| 12.700                    | 500         | 6.731         | 10.770    | 6.048         | 7.580     | 7.468        | 10.390    | 10.270             | 15.142    | 14.919      | 22.870    | 22.660   | 36.728  | -0.67 - 7.40  | 0.00 - 6.73 |
| 15.240                    | 600         | 8.077         | 12.923    | 7.264         | 9.104     | 8.970        | 12.476    | 12.331             | 18.180    | 17.916      | 27.456    | 27.210   | 44.090  | -0.81 - 8.89  | 0.00 - 8.08 |
| 17.780                    | 700         | 9.423         | 15.077    | 8.480         | 10.627    | 10.472       | 14.562    | 14.392             | 21.217    | 20.913      | 32.043    | 31.761   | 51.452  | -0.94 - 10.37 | 0.00 - 9.42 |

• The throw ratio is based on the value during projection with the projected image size of 2.54 m (100 in)

Screen aspect ratio 16:10 (4K; 3840 x 2400/ WUXGA; 1920 x 1200)

Unit: feet

| Projection lens Model No. |             | ET-C1W300     |           | ET-C1W400     |           | ET-C1W500    |           | Standard ET-C1S600 |           | ET-C1T700   |           | ET-C1W400<br>ET-C1W500<br>ET-C1S600<br>ET-C1T700 |   | ET-C1W300     |              |
|---------------------------|-------------|---------------|-----------|---------------|-----------|--------------|-----------|--------------------|-----------|-------------|-----------|--|---|---------------|--------------|
| Throw ratio               |             | 0.550-0.690:1 |           | 0.680-0.950:1 |           | 0.940-1.39:1 |           | 1.36-2.10:1        |           | 2.07-3.38:1 |           |  |   |               |              |
| Diagonal (SD)             | Height (SH) | Width (SW)    | Min. (LW) | Max. (LT)     | Min. (LW) | Max. (LT)    | Min. (LW) | Max. (LT)          | Min. (LW) | Max. (LT)   | Min. (LW) | Max. (LT)  | Distance from the lens center to the bottom edge of the projected image (H) |               |              |
|                           |             |               |           |               |           |              |           |                    |           |             |           |  |   | m             | inches       |
| 1.778                     | 70          | 3.09          | 4.95      | 2.69          | 3.38      | 3.31         | 4.66      | 4.62               | 6.83      | 6.66        | 10.32     | 10.14  | 16.63   | -0.30 - 3.41  | 0.00 - 3.08  |
| 2.032                     | 80          | 3.53          | 5.65      | 3.09          | 3.87      | 3.81         | 5.35      | 5.30               | 7.82      | 7.65        | 11.83     | 11.64  | 19.05   | -0.36 - 3.90  | 0.00 - 3.54  |
| 2.286                     | 90          | 3.98          | 6.36      | 3.48          | 4.38      | 4.30         | 6.03      | 5.97               | 8.82      | 8.63        | 13.34     | 13.13  | 21.47   | -0.39 - 4.36  | 0.00 - 3.97  |
| 2.540                     | 100         | 4.42          | 7.07      | 3.88          | 4.88      | 4.79         | 6.72      | 6.65               | 9.82      | 9.61        | 14.84     | 14.63  | 23.88   | -0.46 - 4.86  | 0.00 - 4.43  |
| 3.048                     | 120         | 5.30          | 8.48      | 4.68          | 5.88      | 5.78         | 8.08      | 8.00               | 11.81     | 11.58       | 17.85     | 17.61  | 28.71   | -0.52 - 5.84  | 0.00 - 5.31  |
| 3.810                     | 150         | 6.62          | 10.60     | 5.88          | 7.38      | 7.25         | 10.14     | 10.03              | 14.80     | 14.53       | 22.37     | 22.09  | 35.96   | -0.66 - 7.28  | 0.00 - 6.63  |
| 5.080                     | 200         | 8.83          | 14.13     | 7.87          | 9.88      | 9.72         | 13.56     | 13.41              | 19.78     | 19.45       | 29.89     | 29.55  | 48.03   | -0.89 - 9.71  | 0.00 - 8.83  |
| 6.350                     | 250         | 11.04         | 17.67     | 9.87          | 12.37     | 12.18        | 16.98     | 16.79              | 24.77     | 24.36       | 37.41     | 37.02  | 60.11   | -1.12 - 12.14 | 0.00 - 11.06 |
| 7.620                     | 300         | 13.25         | 21.20     | 11.86         | 14.87     | 14.65        | 20.40     | 20.17              | 29.75     | 29.28       | 44.93     | 44.48  | 72.19   | -1.31 - 14.57 | 0.00 - 13.25 |
| 8.890                     | 350         | 15.46         | 24.73     | 13.86         | 17.37     | 17.11        | 23.83     | 23.55              | 34.73     | 34.20       | 52.46     | 51.95  | 84.26   | -1.54 - 16.99 | 0.00 - 15.45 |
| 10.160                    | 400         | 17.67         | 28.27     | 15.85         | 19.87     | 19.57        | 27.24     | 26.93              | 39.71     | 39.11       | 59.98     | 59.41  | 96.34   | -1.77 - 19.42 | 0.00 - 17.68 |
| 12.700                    | 500         | 22.08         | 35.33     | 19.84         | 24.87     | 24.50        | 34.09     | 33.69              | 49.68     | 48.95       | 75.03     | 74.34  | 120.50  | -2.20 - 24.28 | 0.00 - 22.08 |
| 15.240                    | 600         | 26.50         | 42.40     | 23.83         | 29.87     | 29.43        | 40.93     | 40.46              | 59.64     | 58.78       | 90.08     | 89.27  | 144.65  | -2.66 - 29.17 | 0.00 - 26.51 |
| 17.780                    | 700         | 30.91         | 49.46     | 27.82         | 34.87     | 34.36        | 47.78     | 47.22              | 69.61     | 68.61       | 105.13    | 104.20   | 168.80  | -3.08 - 34.02 | 0.00 - 30.91 |

• The throw ratio is based on the value during projection with the projected image size of 2.54 m (100 in)

Screen aspect ratio 16:9 (3840 x 2160/ 1920 x 1080)

Unit: meters

| Projection lens Model No. |        | ET-C1W300      |               | ET-C1W400     |              | ET-C1W500    |              | Standard<br>ET-C1S600 |              | ET-C1T700    |              | ET-C1W400<br>ET-C1W500<br>ET-C1S600<br>ET-C1T700                                  |              | ET-C1W300   |              |
|---------------------------|--------|----------------|---------------|---------------|--------------|--------------|--------------|-----------------------|--------------|--------------|--------------|---|--------------|---|--------------|
| Throw ratio               |        | 0.550-0.690:1  |               | 0.680-0.950:1 |              | 0.940-1.39:1 |              | 1.36-2.10:1           |              | 2.07-3.38:1  |              | Distance from the lens center<br>to the bottom edge of the<br>projected image (H) |              |   |              |
| Diagonal<br>(SD)          |        | Height<br>(SH) | Width<br>(SW) | Min.<br>(LW)  | Max.<br>(LT) | Min.<br>(LW) | Max.<br>(LT) | Min.<br>(LW)          | Max.<br>(LT) | Min.<br>(LW) | Max.<br>(LT) | Min.<br>(LW)  | Max.<br>(LT) | Distance from the lens center<br>to the bottom edge of the<br>projected image (H) |              |
| m                         | inches |                |               |               |              |              |              |                       |              |              |              |   |              |   |              |
| 1.778                     | 70     | 0.872          | 1.550         | 0.843         | 1.059        | 1.039        | 1.462        | 1.448                 | 2.141        | 2.090        | 3.237        | 3.181   | 5.213        | -0.15 - 1.02  | -0.05 - 0.92 |
| 2.032                     | 80     | 0.996          | 1.771         | 0.968         | 1.215        | 1.193        | 1.676        | 1.660                 | 2.453        | 2.398        | 3.708        | 3.649   | 5.970        | -0.17 - 1.16  | -0.06 - 1.05 |
| 2.286                     | 90     | 1.121          | 1.992         | 1.093         | 1.372        | 1.348        | 1.891        | 1.872                 | 2.765        | 2.706        | 4.180        | 4.116   | 6.727        | -0.19 - 1.31  | -0.06 - 1.18 |
| 2.540                     | 100    | 1.245          | 2.214         | 1.218         | 1.528        | 1.502        | 2.105        | 2.084                 | 3.077        | 3.014        | 4.651        | 4.584   | 7.483        | -0.21 - 1.45  | -0.07 - 1.31 |
| 3.048                     | 120    | 1.494          | 2.657         | 1.468         | 1.842        | 1.811        | 2.534        | 2.507                 | 3.701        | 3.630        | 5.594        | 5.520   | 8.997        | -0.25 - 1.74  | -0.08 - 1.58 |
| 3.810                     | 150    | 1.868          | 3.321         | 1.842         | 2.311        | 2.274        | 3.177        | 3.143                 | 4.638        | 4.554        | 7.008        | 6.923   | 11.267       | -0.31 - 2.18  | -0.10 - 1.97 |
| 5.080                     | 200    | 2.491          | 4.428         | 2.467         | 3.094        | 3.046        | 4.249        | 4.202                 | 6.199        | 6.094        | 9.365        | 9.261   | 15.050       | -0.42 - 2.91  | -0.14 - 2.63 |
| 6.350                     | 250    | 3.113          | 5.535         | 3.092         | 3.877        | 3.818        | 5.321        | 5.261                 | 7.760        | 7.634        | 11.722       | 11.600  | 18.834       | -0.52 - 3.63  | -0.17 - 3.29 |
| 7.620                     | 300    | 3.736          | 6.641         | 3.717         | 4.660        | 4.590        | 6.393        | 6.320                 | 9.321        | 9.175        | 14.079       | 13.938  | 22.617       | -0.62 - 4.36  | -0.21 - 3.94 |
| 8.890                     | 350    | 4.358          | 7.748         | 4.342         | 5.443        | 5.362        | 7.464        | 7.379                 | 10.882       | 10.715       | 16.436       | 16.277  | 26.401       | -0.73 - 5.09  | -0.24 - 4.60 |
| 10.160                    | 400    | 4.981          | 8.855         | 4.967         | 6.226        | 6.133        | 8.536        | 8.438                 | 12.443       | 12.255       | 18.793       | 18.615  | 30.184       | -0.83 - 5.81  | -0.28 - 5.26 |
| 12.700                    | 500    | 6.226          | 11.069        | 6.217         | 7.792        | 7.677        | 10.680       | 10.556                | 15.565       | 15.336       | 23.507       | 23.292  | 37.751       | -1.04 - 7.26  | -0.35 - 6.57 |
| 15.240                    | 600    | 7.472          | 13.283        | 7.467         | 9.358        | 9.221        | 12.824       | 12.675                | 18.686       | 18.416       | 28.221       | 27.969  | 45.318       | -1.25 - 8.72  | -0.42 - 7.89 |
| 17.780                    | 700    | 8.717          | 15.497        | 8.716         | 10.924       | 10.765       | 14.968       | 14.793                | 21.808       | 21.497       | 32.935       | 32.646  | 52.885       | -1.45 - 10.17   | -0.48 - 9.20 |

• The throw ratio is based on the value during projection with the projected image size of 2.54 m [100 in]

Screen aspect ratio 16:9 (3840 x 2160/ 1920 x 1080)

Unit: feet

| Projection lens Model No. |        | ET-C1W300      |               | ET-C1W400     |              | ET-C1W500    |              | Standard<br>ET-C1S600 |              | ET-C1T700    |              | ET-C1W400<br>ET-C1W500<br>ET-C1S600<br>ET-C1T700                                  |              | ET-C1W300   |               |
|---------------------------|--------|----------------|---------------|---------------|--------------|--------------|--------------|-----------------------|--------------|--------------|--------------|---|--------------|---|---------------|
| Throw ratio               |        | 0.550-0.690:1  |               | 0.680-0.950:1 |              | 0.940-1.39:1 |              | 1.36-2.10:1           |              | 2.07-3.38:1  |              | Distance from the lens center<br>to the bottom edge of the<br>projected image (H) |              |   |               |
| Diagonal<br>(SD)          |        | Height<br>(SH) | Width<br>(SW) | Min.<br>(LW)  | Max.<br>(LT) | Min.<br>(LW) | Max.<br>(LT) | Min.<br>(LW)          | Max.<br>(LT) | Min.<br>(LW) | Max.<br>(LT) | Min.<br>(LW)  | Max.<br>(LT) | Distance from the lens center<br>to the bottom edge of the<br>projected image (H) |               |
| m                         | inches |                |               |               |              |              |              |                       |              |              |              |   |              |   |               |
| 1.778                     | 70     | 2.86           | 5.09          | 2.77          | 3.47         | 3.41         | 4.80         | 4.75                  | 7.02         | 6.86         | 10.62        | 10.44   | 17.10        | -0.49 - 3.35  | -0.16 - 3.02  |
| 2.032                     | 80     | 3.27           | 5.81          | 3.18          | 3.99         | 3.91         | 5.50         | 5.45                  | 8.05         | 7.87         | 12.17        | 11.97   | 19.59        | -0.56 - 3.81  | -0.20 - 3.44  |
| 2.286                     | 90     | 3.68           | 6.54          | 3.59          | 4.50         | 4.42         | 6.20         | 6.14                  | 9.07         | 8.88         | 13.71        | 13.50   | 22.07        | -0.62 - 4.30  | -0.20 - 3.87  |
| 2.540                     | 100    | 4.08           | 7.26          | 4.00          | 5.01         | 4.93         | 6.91         | 6.84                  | 10.10        | 9.89         | 15.26        | 15.04   | 24.55        | -0.69 - 4.76  | -0.23 - 4.30  |
| 3.048                     | 120    | 4.90           | 8.72          | 4.82          | 6.04         | 5.94         | 8.31         | 8.22                  | 12.14        | 11.91        | 18.35        | 18.11   | 29.52        | -0.82 - 5.71  | -0.26 - 5.18  |
| 3.810                     | 150    | 6.13           | 10.90         | 6.04          | 7.58         | 7.46         | 10.42        | 10.31                 | 15.22        | 14.94        | 22.99        | 22.71   | 36.96        | -1.02 - 7.15  | -0.33 - 6.46  |
| 5.080                     | 200    | 8.17           | 14.53         | 8.09          | 10.15        | 9.99         | 13.94        | 13.79                 | 20.34        | 19.99        | 30.72        | 30.38   | 49.38        | -1.38 - 9.55  | -0.46 - 8.63  |
| 6.350                     | 250    | 10.21          | 18.16         | 10.14         | 12.72        | 12.53        | 17.46        | 17.26                 | 25.46        | 25.05        | 38.46        | 38.06   | 61.79        | -1.71 - 11.91   | -0.56 - 10.79 |
| 7.620                     | 300    | 12.26          | 21.79         | 12.19         | 15.29        | 15.06        | 20.97        | 20.73                 | 30.58        | 30.10        | 46.19        | 45.73   | 74.20        | -2.03 - 14.30   | -0.69 - 12.93 |
| 8.890                     | 350    | 14.30          | 25.42         | 14.25         | 17.86        | 17.59        | 24.49        | 24.21                 | 35.70        | 35.15        | 53.92        | 53.40   | 86.62        | -2.39 - 16.70   | -0.79 - 15.09 |
| 10.160                    | 400    | 16.34          | 29.05         | 16.30         | 20.43        | 20.12        | 28.00        | 27.68                 | 40.82        | 40.21        | 61.66        | 61.07   | 99.03        | -2.72 - 19.06   | -0.92 - 17.26 |
| 12.700                    | 500    | 20.43          | 36.32         | 20.40         | 25.56        | 25.19        | 35.04        | 34.63                 | 51.07        | 50.31        | 77.12        | 76.42   | 123.85       | -3.41 - 23.82   | -1.15 - 21.55 |
| 15.240                    | 600    | 24.51          | 43.58         | 24.50         | 30.70        | 30.25        | 42.07        | 41.58                 | 61.31        | 60.42        | 92.59        | 91.76   | 148.68       | -4.10 - 28.61   | -1.38 - 25.89 |
| 17.780                    | 700    | 28.60          | 50.84         | 28.60         | 35.84        | 35.32        | 49.11        | 48.53                 | 71.55        | 70.53        | 108.05       | 107.10  | 173.51       | -4.76 - 33.37   | -1.57 - 30.18 |

• The throw ratio is based on the value during projection with the projected image size of 2.54 m [100 in]

Screen aspect ratio 4:3 (3200 x 2400/ 1600 x 1200)

Unit: meters

| Projection lens Model No. |        | ET-C1W300      |               | ET-C1W400     |              | ET-C1W500    |              | Standard<br>ET-C1S600 |              | ET-C1T700    |              | ET-C1W400<br>ET-C1W500<br>ET-C1S600<br>ET-C1T700                                  |              | ET-C1W300     |              |
|---------------------------|--------|----------------|---------------|---------------|--------------|--------------|--------------|-----------------------|--------------|--------------|--------------|---|--------------|---------------|--------------|
| Throw ratio               |        | 0.660-0.830:1  |               | 0.820-1.140:1 |              | 1.130-1.67:1 |              | 1.64-2.52:1           |              | 2.49-4.06:1  |              | Distance from the lens center<br>to the bottom edge of the<br>projected image (H) |              |               |              |
| Diagonal<br>(SD)          |        | Height<br>(SH) | Width<br>(SW) | Min.<br>(LW)  | Max.<br>(LT) | Min.<br>(LW) | Max.<br>(LT) | Min.<br>(LW)          | Max.<br>(LT) | Min.<br>(LW) | Max.<br>(LT) | Min.<br>(LW)  | Max.<br>(LT) |               |              |
| m                         | inches |                |               |               |              |              |              |                       |              |              |              |   |              |               |              |
| 1.778                     | 70     | 1.067          | 1.422         | 0.931         | 1.170        | 1.149        | 1.614        | 1.599                 | 2.362        | 2.308        | 3.572        | 3.513   | 5.751        | -0.11 - 1.17  | 0.00 - 1.07  |
| 2.032                     | 80     | 1.219          | 1.626         | 1.069         | 1.342        | 1.319        | 1.850        | 1.832                 | 2.706        | 2.648        | 4.091        | 4.028   | 6.584        | -0.12 - 1.34  | 0.00 - 1.22  |
| 2.286                     | 90     | 1.372          | 1.829         | 1.207         | 1.515        | 1.489        | 2.086        | 2.065                 | 3.050        | 2.987        | 4.610        | 4.543   | 7.418        | -0.14 - 1.51  | 0.00 - 1.37  |
| 2.540                     | 100    | 1.524          | 2.032         | 1.344         | 1.687        | 1.659        | 2.322        | 2.299                 | 3.394        | 3.326        | 5.129        | 5.059   | 8.251        | -0.15 - 1.68  | 0.00 - 1.52  |
| 3.048                     | 120    | 1.829          | 2.438         | 1.620         | 2.032        | 1.999        | 2.795        | 2.765                 | 4.082        | 4.005        | 6.168        | 6.089   | 9.918        | -0.18 - 2.01  | 0.00 - 1.83  |
| 3.810                     | 150    | 2.286          | 3.048         | 2.033         | 2.550        | 2.509        | 3.503        | 3.465                 | 5.113        | 5.023        | 7.725        | 7.634   | 12.418       | -0.23 - 2.52  | 0.00 - 2.29  |
| 5.080                     | 200    | 3.048          | 4.064         | 2.721         | 3.412        | 3.359        | 4.684        | 4.632                 | 6.832        | 6.719        | 10.322       | 10.210  | 16.586       | -0.31 - 3.35  | 0.00 - 3.05  |
| 6.350                     | 250    | 3.810          | 5.080         | 3.409         | 4.274        | 4.209        | 5.864        | 5.798                 | 8.552        | 8.416        | 12.918       | 12.786  | 20.753       | -0.38 - 4.19  | 0.00 - 3.81  |
| 7.620                     | 300    | 4.572          | 6.096         | 4.098         | 5.137        | 5.060        | 7.045        | 6.965                 | 10.271       | 10.112       | 15.514       | 15.362  | 24.920       | -0.46 - 5.03  | 0.00 - 4.57  |
| 8.890                     | 350    | 5.334          | 7.112         | 4.786         | 5.999        | 5.910        | 8.226        | 8.131                 | 11.990       | 11.809       | 18.110       | 17.937  | 29.088       | -0.53 - 5.87  | 0.00 - 5.33  |
| 10.160                    | 400    | 6.096          | 8.128         | 5.474         | 6.862        | 6.760        | 9.406        | 9.298                 | 13.710       | 13.505       | 20.706       | 20.513  | 33.255       | -0.61 - 6.71  | 0.00 - 6.10  |
| 12.700                    | 500    | 7.620          | 10.160        | 6.851         | 8.586        | 8.460        | 11.768       | 11.631                | 17.148       | 16.898       | 25.898       | 25.665  | 41.590       | -0.76 - 8.38  | 0.00 - 7.62  |
| 15.240                    | 600    | 9.144          | 12.192        | 8.227         | 10.311       | 10.161       | 14.129       | 13.964                | 20.587       | 20.291       | 31.091       | 30.816  | 49.924       | -0.91 - 10.06 | 0.00 - 9.14  |
| 17.780                    | 700    | 10.668         | 14.224        | 9.604         | 12.036       | 11.861       | 16.490       | 16.297                | 24.025       | 23.684       | 36.283       | 35.968  | 58.259       | -1.07 - 11.74 | 0.00 - 10.67 |

• The throw ratio is based on the value during projection with the projected image size of 2.54 m [100 in]

Screen aspect ratio 4:3 (3200 x 2400/ 1600 x 1200)

Unit: feet

| Projection lens Model No. |        | ET-C1W300      |               | ET-C1W400     |              | ET-C1W500    |              | Standard<br>ET-C1S600 |              | ET-C1T700    |              | ET-C1W400<br>ET-C1W500<br>ET-C1S600<br>ET-C1T700                                  |              | ET-C1W300     |              |
|---------------------------|--------|----------------|---------------|---------------|--------------|--------------|--------------|-----------------------|--------------|--------------|--------------|---|--------------|---------------|--------------|
| Throw ratio               |        | 0.660-0.830:1  |               | 0.820-1.140:1 |              | 1.130-1.67:1 |              | 1.64-2.52:1           |              | 2.49-4.06:1  |              | Distance from the lens center<br>to the bottom edge of the<br>projected image (H) |              |               |              |
| Diagonal<br>(SD)          |        | Height<br>(SH) | Width<br>(SW) | Min.<br>(LW)  | Max.<br>(LT) | Min.<br>(LW) | Max.<br>(LT) | Min.<br>(LW)          | Max.<br>(LT) | Min.<br>(LW) | Max.<br>(LT) | Min.<br>(LW)  | Max.<br>(LT) |               |              |
| m                         | inches |                |               |               |              |              |              |                       |              |              |              |   |              |               |              |
| 1.778                     | 70     | 3.50           | 4.67          | 3.05          | 3.84         | 3.77         | 5.30         | 5.25                  | 7.75         | 7.57         | 11.72        | 11.53   | 18.87        | -0.36 - 3.84  | 0.00 - 3.51  |
| 2.032                     | 80     | 4.00           | 5.33          | 3.51          | 4.40         | 4.33         | 6.07         | 6.01                  | 8.88         | 8.69         | 13.42        | 13.22   | 21.60        | -0.39 - 4.40  | 0.00 - 4.00  |
| 2.286                     | 90     | 4.50           | 6.00          | 3.96          | 4.97         | 4.89         | 6.84         | 6.77                  | 10.01        | 9.80         | 15.12        | 14.90   | 24.34        | -0.46 - 4.95  | 0.00 - 4.49  |
| 2.540                     | 100    | 5.00           | 6.67          | 4.41          | 5.53         | 5.44         | 7.62         | 7.54                  | 11.14        | 10.91        | 16.83        | 16.60   | 27.07        | -0.49 - 5.51  | 0.00 - 4.99  |
| 3.048                     | 120    | 6.00           | 8.00          | 5.31          | 6.67         | 6.56         | 9.17         | 9.07                  | 13.39        | 13.14        | 20.24        | 19.98   | 32.54        | -0.59 - 6.59  | 0.00 - 6.00  |
| 3.810                     | 150    | 7.50           | 10.00         | 6.67          | 8.37         | 8.23         | 11.49        | 11.37                 | 16.77        | 16.48        | 25.34        | 25.05   | 40.74        | -0.75 - 8.27  | 0.00 - 7.51  |
| 5.080                     | 200    | 10.00          | 13.33         | 8.93          | 11.19        | 11.02        | 15.37        | 15.20                 | 22.41        | 22.04        | 33.86        | 33.50   | 54.42        | -1.02 - 10.99 | 0.00 - 10.01 |
| 6.350                     | 250    | 12.50          | 16.67         | 11.18         | 14.02        | 13.81        | 19.24        | 19.02                 | 28.06        | 27.61        | 42.38        | 41.95   | 68.09        | -1.25 - 13.75 | 0.00 - 12.50 |
| 7.620                     | 300    | 15.00          | 20.00         | 13.44         | 16.85        | 16.60        | 23.11        | 22.85                 | 33.70        | 33.18        | 50.90        | 50.40   | 81.76        | -1.51 - 16.50 | 0.00 - 14.99 |
| 8.890                     | 350    | 17.50          | 23.33         | 15.70         | 19.68        | 19.39        | 26.99        | 26.68                 | 39.34        | 38.74        | 59.42        | 58.85   | 95.43        | -1.74 - 19.26 | 0.00 - 17.49 |
| 10.160                    | 400    | 20.00          | 26.67         | 17.96         | 22.51        | 22.18        | 30.86        | 30.50                 | 44.98        | 44.31        | 67.93        | 67.30   | 109.10       | -2.00 - 22.01 | 0.00 - 20.01 |
| 12.700                    | 500    | 25.00          | 33.33         | 22.48         | 28.17        | 27.76        | 38.61        | 38.16                 | 56.26        | 55.44        | 84.97        | 84.20   | 136.45       | -2.49 - 27.49 | 0.00 - 25.00 |
| 15.240                    | 600    | 30.00          | 40.00         | 26.99         | 33.83        | 33.34        | 46.35        | 45.81                 | 67.54        | 66.57        | 102.00       | 101.10  | 163.79       | -2.99 - 33.00 | 0.00 - 29.99 |
| 17.780                    | 700    | 35.00          | 46.67         | 31.51         | 39.49        | 38.91        | 54.10        | 53.47                 | 78.82        | 77.70        | 119.04       | 118.00  | 191.14       | -3.51 - 38.52 | 0.00 - 35.01 |

• The throw ratio is based on the value during projection with the projected image size of 2.54 m [100 in]

### Calculation of the projection distance

To use a projected image size not listed in this manual, check the projected image size SD (m) and use the respective formula to calculate the value.

The unit of all the formulae is m. (Values obtained by the following calculation formulae contain a slight error.)

When calculating the value using image size designation (value in inches), multiply the value in inches by 0.0254 and substitute it into SD in the formula.

#### Screen aspect ratio 16:10

Unit: m

| Projection lens Model No.     | Projection distance (L) formula |                              |
|-------------------------------|---------------------------------|------------------------------|
|                               | Min. (LW)                       | Max. (LT)                    |
| ET-C1W300                     | $=0.4787 \times SD - 0.0322$    | $=0.5998 \times SD - 0.0376$ |
| ET-C1W400                     | $=0.5913 \times SD - 0.0416$    | $=0.8212 \times SD - 0.0389$ |
| ET-C1W500                     | $=0.8114 \times SD - 0.0344$    | $=1.1958 \times SD - 0.0448$ |
| Standard zoom lens/ ET-C1S600 | $=1.1800 \times SD - 0.0668$    | $=1.8057 \times SD - 0.0631$ |
| ET-C1T700                     | $=1.7915 \times SD - 0.0929$    | $=2.8985 \times SD - 0.0835$ |

#### Screen aspect ratio 16:9

Unit: m

| Projection lens Model No.     | Projection distance (L) formula |                              |
|-------------------------------|---------------------------------|------------------------------|
|                               | Min. (LW)                       | Max. (LT)                    |
| ET-C1W300                     | $=0.4920 \times SD - 0.0322$    | $=0.6165 \times SD - 0.0376$ |
| ET-C1W400                     | $=0.6078 \times SD - 0.0416$    | $=0.8440 \times SD - 0.0389$ |
| ET-C1W500                     | $=0.8339 \times SD - 0.0344$    | $=1.2291 \times SD - 0.0448$ |
| Standard zoom lens/ ET-C1S600 | $=1.2128 \times SD - 0.0668$    | $=1.8559 \times SD - 0.0631$ |
| ET-C1T700                     | $=1.8413 \times SD - 0.0929$    | $=2.9791 \times SD - 0.0835$ |

#### Screen aspect ratio 4:3

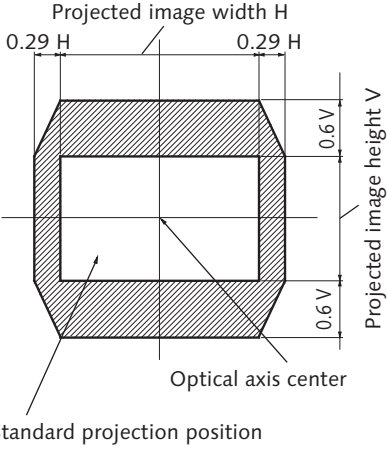
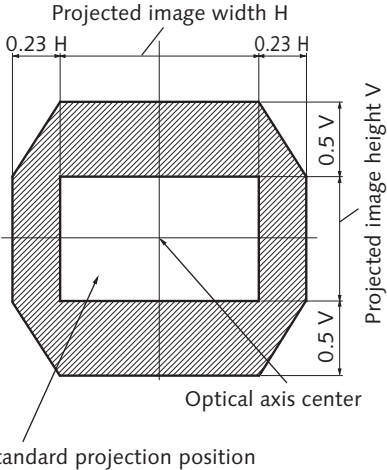
Unit: m

| Projection lens Model No.     | Projection distance (L) formula |                              |
|-------------------------------|---------------------------------|------------------------------|
|                               | Min. (LW)                       | Max. (LT)                    |
| ET-C1W300                     | $=0.5420 \times SD - 0.0322$    | $=0.6791 \times SD - 0.0376$ |
| ET-C1W400                     | $=0.6694 \times SD - 0.0416$    | $=0.9297 \times SD - 0.0389$ |
| ET-C1W500                     | $=0.9185 \times SD - 0.0344$    | $=1.3538 \times SD - 0.0448$ |
| Standard zoom lens/ ET-C1S600 | $=1.3358 \times SD - 0.0668$    | $=2.0442 \times SD - 0.0631$ |
| ET-C1T700                     | $=2.0282 \times SD - 0.0929$    | $=3.2813 \times SD - 0.0835$ |

**Adjustment range by the lens position shift (optical shift)**

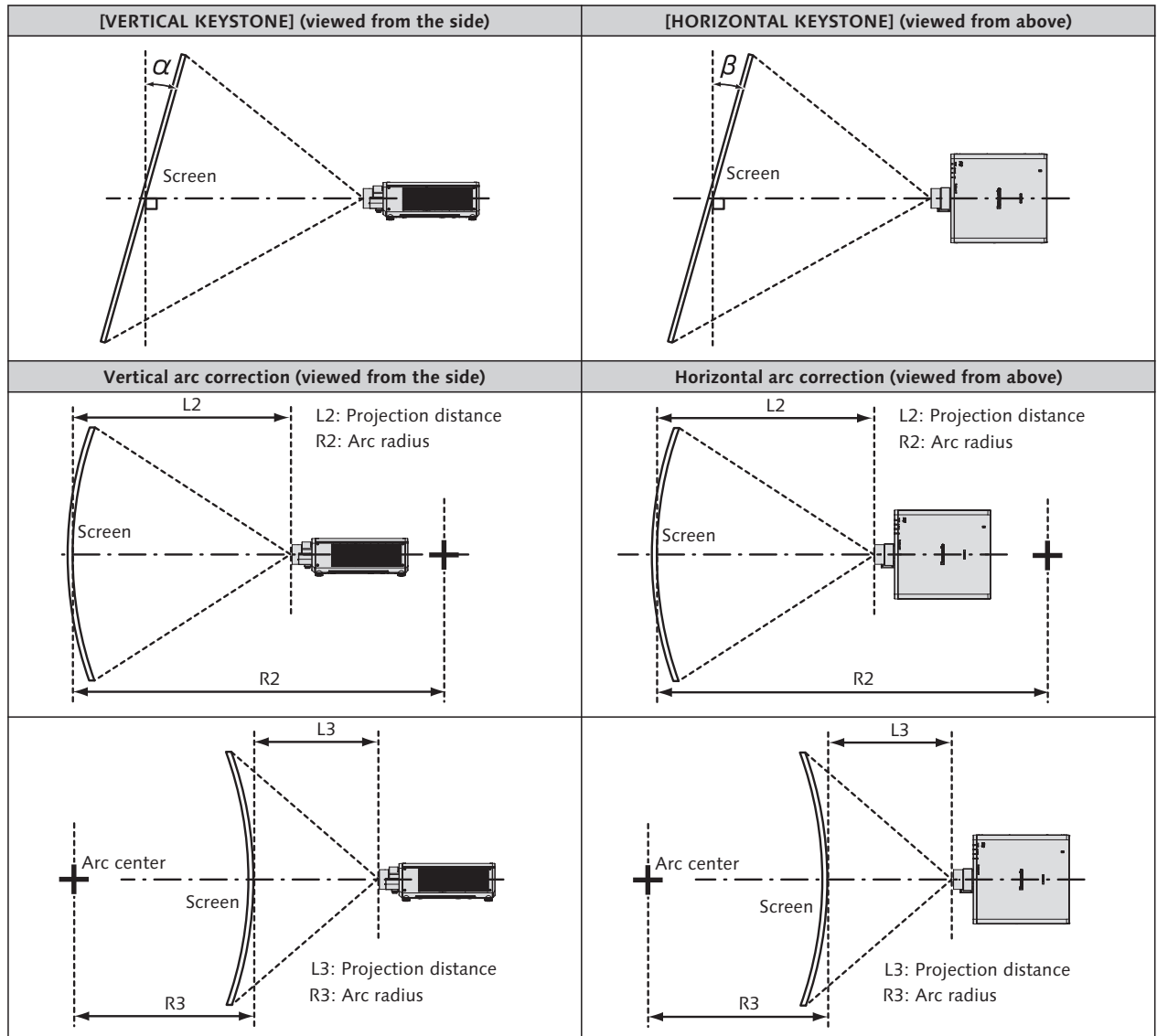
Based on the standard projection position using the optical axis shift function, the projection position can be adjusted in the range shown in the following figure.

Following figure shows the adjustment range when the projector is installed on the floor.

| Projection lens Model No. | When ET-C1W400, ET-C1W500, ET-C1S600, ET-C1T700 is mounted.                       | When the ET-C1W300 is mounted.  |
|---------------------------|---|---|
| Lens shift range          |  |  |

- Optimal image can be achieved by installing the projector squarely in front of the screen and adjusting the lens shift lever to center.

## [SCREEN ADJUSTMENT] projection range



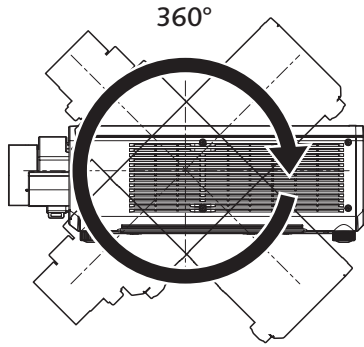
| Projection lens Model No.        | Only [KEYSTONE] used <sup>1</sup>               |  | [KEYSTONE] and [CURVED CORRECTION] used together |  |                     |                     | Only [CURVED CORRECTION] used |                     |
|----------------------------------|---|--|--|--|---------------------|---------------------|-------------------------------|---------------------|
|                                  | Vertical keystone correction angle $\alpha$ (°) | Horizontal keystone correction angle $\beta$ (°) | Vertical keystone correction angle $\alpha$ (°)  | Horizontal keystone correction angle $\beta$ (°) | Min. value of R2/L2 | Min. value of R3/L3 | Min. value of R2/L2           | Min. value of R3/L3 |
| ET-C1W300                        | ±10   | ±5   | -  | -  | -                   | -                   | -                             | -                   |
| ET-C1W400                        | ±16   | ±10  | -  | -  | -                   | -                   | -                             | -                   |
| ET-C1W500                        | ±22   | ±15  | ±8   | ±8   | 1.3                 | 3.3                 | 0.8                           | 1.9                 |
| Standard zoom lens/<br>ET-C1S600 | ±40   | ±40  | ±20  | ±15  | 1.3                 | 3.3                 | 0.8                           | 1.9                 |
| ET-C1T700                        | ±40   | ±40  | ±20  | ±15  | 0.9                 | 2.0                 | 0.5                           | 1.1                 |

<sup>1</sup> When [VERTICAL KEYSTONE] and [HORIZONTAL KEYSTONE] are used simultaneously, correction cannot be made exceeding total of 55°.

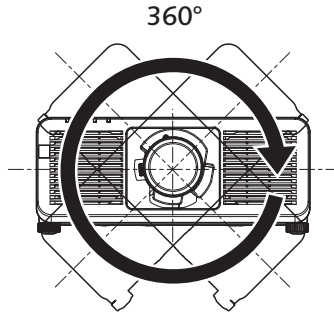
**Installable angle**

Install the projector at an angle within the range shown below.

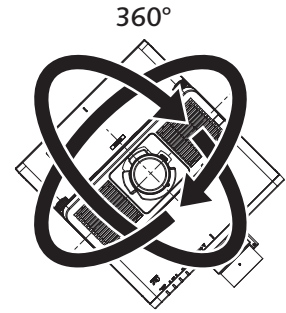
FULL 360-degree projection



Vertical 360-deg.



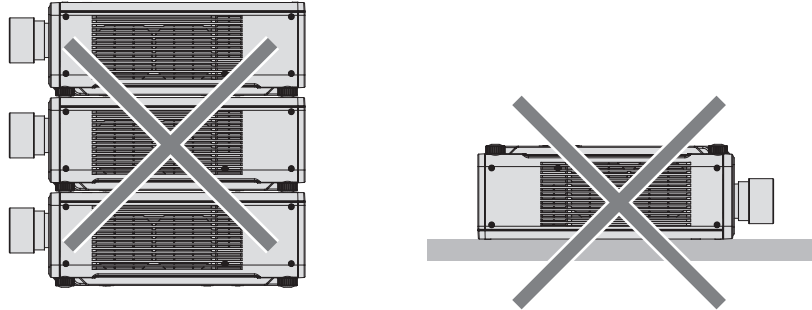
Horizontal 360-deg.



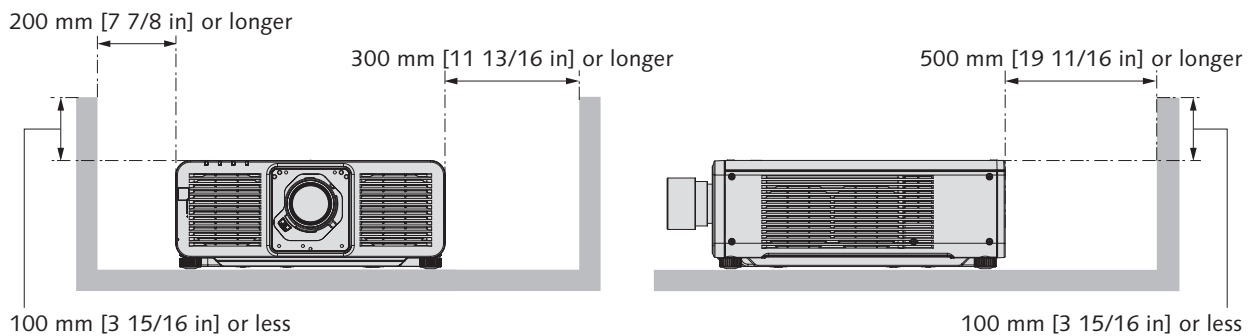
Tilting 360-deg.  
(Vertical and Horizontal combination)

### Notes on projector placement and operation

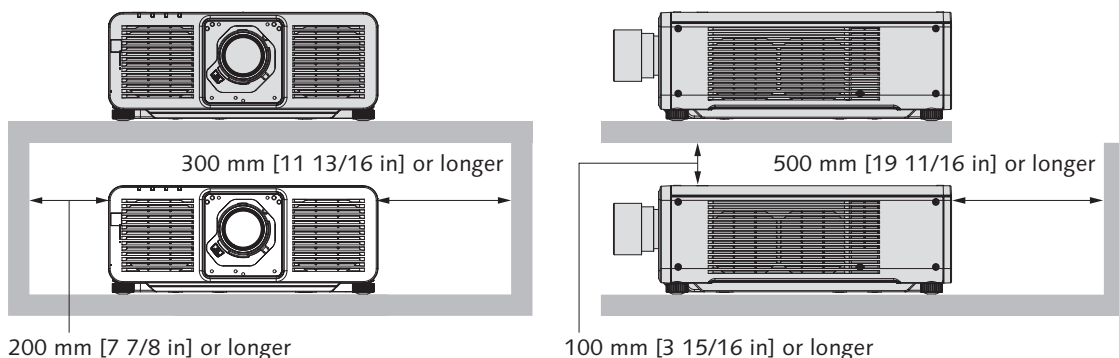
- Do not stack three or more projectors.
- Do not simultaneously use both projectors when stacked on top of each other. When stacking two projectors, use only one projector at a time and make the other as a backup device. Take a measure to prevent sliding off just in case.
- Do not use the projector supporting it by the top.



- Do not block the ventilation ports (intake and exhaust) of the projector.
- Prevent hot and cool air from the air conditioning system to blow directly into the ventilation ports (intake and exhaust) of the projector.



- Do not install the projector in a confined space.  
When installing the projector in a confined space, provide air conditioning or ventilation separately. Exhaust heat may accumulate when the ventilation is not enough, triggering the protection circuit of the projector.



- When installing and fixing the projector on a ceiling or wall using a mount, make sure that the fixing screw or power cord does not come in contact with metal section inside the ceiling or wall. Failure to observe this may result in electric shocks.
- Panasonic Connect Co., Ltd. takes no responsibility for any damage to the product caused by an inappropriate choice of location for installing the projector, even if the warranty period of the product has not expired.
- Immediately remove the product that is not in use anymore by asking a qualified technician.



## List of compatible signals

The following table specifies the video signals compatible with the projector.

For details of SDI signal, refer to "List of single link SDI compatible signals". For details of SDI signal, refer to List of quad link SDI compatible signals". This projector supports the signal with ✓ in the compatible signal column.

- The content of the compatible signal column is as follows.

-V: Video signal    -C: Computer signal

| Signal Type      | Signal name (SIGNAL FORMAT) | Resolution (Dots) | Scanning freq.    |                    | Dot clock freq. (MHz) | Compatible signal |                |                           |
|------------------|-----------------------------|-------------------|-------------------|--------------------|-----------------------|-------------------|----------------|---------------------------|
|                  |                             |                   | Horizontal (kHz)  | Vertical (Hz)      |                       | HDMI              | DisplayPort    | DIGITAL LINK <sup>1</sup> |
| V                | 480/60p                     | 720 x 480         | 31.5              | 59.9               | 27.0                  | ✓                 | –              | ✓                         |
|                  | 576/50p                     | 720 x 576         | 31.3              | 50.0               | 27.0                  | ✓                 | –              | ✓                         |
|                  | 720/60p                     | 1280 x 720        | 45.0              | 60.0 <sup>2</sup>  | 74.3                  | ✓                 | ✓              | ✓                         |
|                  | 720/50p                     | 1280 x 720        | 37.5              | 50.0               | 74.3                  | ✓                 | ✓              | ✓                         |
|                  | 720/120p                    | 1280 x 720        | 90.0              | 120.0 <sup>2</sup> | 148.5                 | ✓                 | ✓              | ✓                         |
|                  | 1080/60i                    | 1920 x 1080i      | 33.8              | 60.0 <sup>2</sup>  | 74.3                  | ✓                 | –              | ✓                         |
|                  | 1080/50i                    | 1920 x 1080i      | 28.1              | 50.0               | 74.3                  | ✓                 | –              | ✓                         |
|                  | 1080/24p                    | 1920 x 1080       | 27.0              | 24.0 <sup>2</sup>  | 74.3                  | ✓                 | ✓              | ✓                         |
|                  | 1080/24sF                   | 1920 x 1080       | 27.0              | 48.0 <sup>2</sup>  | 74.3                  | ✓                 | –              | ✓                         |
|                  | 1080/25p                    | 1920 x 1080       | 28.1              | 25.0               | 74.3                  | ✓                 | ✓              | ✓                         |
|                  | 1080/30p                    | 1920 x 1080       | 33.8              | 30.0 <sup>2</sup>  | 74.3                  | ✓                 | ✓              | ✓                         |
|                  | 1080/60p                    | 1920 x 1080       | 67.5              | 60.0 <sup>2</sup>  | 148.5                 | ✓                 | ✓              | ✓                         |
|                  | 1080/50p                    | 1920 x 1080       | 56.3              | 50.0               | 148.5                 | ✓                 | ✓              | ✓                         |
|                  | 1080/120p                   | 1920 x 1080       | 135.0             | 120.0 <sup>2</sup> | 297.0                 | ✓                 | ✓              | ✓                         |
|                  | 2K/24p                      | 2048 x 1080       | 27.0              | 24.0 <sup>2</sup>  | 74.3                  | ✓                 | ✓              | ✓                         |
|                  | 2K/25p                      | 2048 x 1080       | 28.1              | 25.0               | 74.3                  | ✓                 | ✓              | ✓                         |
|                  | 2K/30p                      | 2048 x 1080       | 33.8              | 30.0 <sup>2</sup>  | 74.3                  | ✓                 | ✓              | ✓                         |
|                  | 2K/48p                      | 2048 x 1080       | 54.0              | 48.0 <sup>2</sup>  | 148.5                 | ✓                 | ✓              | ✓                         |
|                  | 2K/60p                      | 2048 x 1080       | 67.5              | 60.0 <sup>2</sup>  | 148.5                 | ✓                 | ✓              | ✓                         |
|                  | 2K/50p                      | 2048 x 1080       | 56.3              | 50.0               | 148.5                 | ✓                 | ✓              | ✓                         |
|                  | 2560 x 1080/60p             | 2560 x 1080       | 66.0              | 60.0 <sup>2</sup>  | 198.0                 | ✓                 | ✓              | ✓                         |
|                  | 2560 x 1080/50p             | 2560 x 1080       | 56.3              | 50.0               | 185.6                 | ✓                 | ✓              | ✓                         |
|                  | 3840 x 2160/24p             | 3840 x 2160       | 54.0              | 24.0 <sup>2</sup>  | 297.0                 | ✓                 | ✓              | ✓                         |
|                  | 3840 x 2160/25p             | 3840 x 2160       | 56.3              | 25.0               | 297.0                 | ✓                 | ✓              | ✓                         |
|                  | 3840 x 2160/30p             | 3840 x 2160       | 67.5              | 30.0 <sup>2</sup>  | 297.0                 | ✓                 | ✓              | ✓                         |
|                  | 3840 x 2160/60p             | 3840 x 2160       | 135.0             | 60.0 <sup>2</sup>  | 297.0                 | ✓ <sup>3</sup>    | –              | ✓ <sup>3</sup>            |
|                  |                             | 3840 x 2160       | 135.0             | 60.0 <sup>2</sup>  | 594.0                 | ✓                 | ✓              | –                         |
|                  | 3840 x 2160/50p             | 3840 x 2160       | 112.5             | 50.0               | 297.0                 | ✓ <sup>3</sup>    | –              | ✓ <sup>3</sup>            |
|                  |                             | 3840 x 2160       | 112.5             | 50.0               | 594.0                 | ✓                 | ✓              | –                         |
|                  | 4096 x 2160/24p             | 4096 x 2160       | 54.0              | 24.0 <sup>2</sup>  | 297.0                 | ✓                 | ✓              | ✓                         |
|                  | 4096 x 2160/25p             | 4096 x 2160       | 56.3              | 25.0               | 297.0                 | ✓                 | ✓              | ✓                         |
|                  | 4096 x 2160/30p             | 4096 x 2160       | 67.5              | 30.0 <sup>2</sup>  | 297.0                 | ✓                 | ✓              | ✓                         |
|                  | 4096 x 2160/60p             | 4096 x 2160       | 135.0             | 60.0 <sup>2</sup>  | 297.0                 | ✓ <sup>3</sup>    | –              | ✓ <sup>3</sup>            |
| 4096 x 2160      |                             | 135.0             | 60.0 <sup>2</sup> | 594.0              | ✓                     | ✓                 | –              |                           |
| 4096 x 2160/50p  | 4096 x 2160                 | 112.5             | 50.0              | 297.0              | ✓ <sup>3</sup>        | –                 | ✓ <sup>3</sup> |                           |
|                  | 4096 x 2160                 | 112.5             | 50.0              | 594.0              | ✓                     | ✓                 | –              |                           |
| C                | 640 x 480/60                | 640 x 480         | 31.5              | 59.9               | 25.2                  | ✓                 | ✓              | ✓                         |
|                  | 1024 x 768/50               | 1024 x 768        | 39.6              | 50.0               | 51.9                  | ✓                 | ✓              | ✓                         |
|                  | 1024 x 768/60               | 1024 x 768        | 48.4              | 60.0               | 65.0                  | ✓                 | ✓              | ✓                         |
|                  | 1280 x 800/50               | 1280 x 800        | 41.3              | 50.0               | 68.0                  | ✓                 | ✓              | ✓                         |
|                  | 1280 x 800/60               | 1280 x 800        | 49.7              | 59.8               | 83.5                  | ✓                 | ✓              | ✓                         |
|                  | 1280 x 1024/50              | 1280 x 1024       | 52.4              | 50.0               | 88.0                  | ✓                 | –              | ✓                         |
|                  | 1280 x 1024/60              | 1280 x 1024       | 64.0              | 60.0               | 108.0                 | ✓                 | –              | ✓                         |
|                  | 1366 x 768/50               | 1366 x 768        | 39.6              | 49.9               | 69.0                  | ✓                 | –              | ✓                         |
|                  | 1366 x 768/60               | 1366 x 768        | 47.7              | 59.8               | 85.5                  | ✓                 | –              | ✓                         |
|                  | 1400 x 1050/50              | 1400 x 1050       | 54.1              | 50.0               | 99.9                  | ✓                 | ✓              | ✓                         |
|                  | 1400 x 1050/60              | 1400 x 1050       | 65.2              | 60.0               | 122.6                 | ✓                 | ✓              | ✓                         |
|                  | 1440 x 900/50               | 1440 x 900        | 46.3              | 49.9               | 86.8                  | ✓                 | –              | ✓                         |
|                  | 1440 x 900/60               | 1440 x 900        | 55.9              | 59.9               | 106.5                 | ✓                 | –              | ✓                         |
|                  | 1600 x 900/50               | 1600 x 900        | 46.4              | 49.9               | 96.5                  | ✓                 | ✓              | ✓                         |
|                  | 1600 x 900/60               | 1600 x 900        | 55.9              | 60.0               | 119.0                 | ✓                 | ✓              | ✓                         |
|                  | 1600 x 1200/50              | 1600 x 1200       | 61.8              | 49.9               | 131.5                 | ✓                 | ✓              | ✓                         |
|                  | 1600 x 1200/60              | 1600 x 1200       | 75.0              | 60.0               | 162.0                 | ✓                 | ✓              | ✓                         |
|                  | 1680 x 1050/50              | 1680 x 1050       | 54.1              | 50.0               | 119.5                 | ✓                 | –              | ✓                         |
|                  | 1680 x 1050/60              | 1680 x 1050       | 65.3              | 60.0               | 146.3                 | ✓                 | –              | ✓                         |
|                  | 1920 x 1080/240             | 1920 x 1080       | 291.6             | 240.0              | 583.2                 | ✓                 | ✓              | –                         |
| 1920 x 1200/50   | 1920 x 1200                 | 61.8              | 49.9              | 158.3              | ✓                     | ✓                 | ✓              |                           |
| 1920 x 1200/60RB | 1920 x 1200 <sup>4</sup>    | 74.0              | 60.0              | 154.0              | ✓                     | ✓                 | ✓              |                           |
| 2560 x 1440/50   | 2560 x 1440                 | 74.1              | 50.0              | 256.3              | ✓                     | ✓                 | ✓              |                           |
| 2560 x 1440/60   | 2560 x 1440 <sup>4</sup>    | 88.8              | 60.0              | 241.5              | ✓                     | ✓                 | ✓              |                           |
| 2560 x 1600/50   | 2560 x 1600                 | 82.4              | 50.0              | 286.0              | ✓                     | ✓                 | ✓              |                           |

| Signal Type | Signal name (SIGNAL FORMAT) | Resolution (Dots)        | Scanning freq.   |               | Dot clock freq. (MHz) | Compatible signal |             |                           |
|-------------|-----------------------------|--------------------------|------------------|---------------|-----------------------|-------------------|-------------|---------------------------|
|             |                             |                          | Horizontal (kHz) | Vertical (Hz) |                       | HDMI              | DisplayPort | DIGITAL LINK <sup>1</sup> |
| C           | 2560 x 1600/60              | 2560 x 1600 <sup>4</sup> | 98.7             | 60.0          | 268.5                 | ✓                 | ✓           | ✓                         |
|             | 3440 x 1440/50              | 3440 x 1440 <sup>4</sup> | 73.7             | 50.0          | 259.4                 | ✓                 | ✓           | –                         |
|             | 3440 x 1440/60              | 3440 x 1440 <sup>4</sup> | 88.9             | 60.0          | 312.8                 | ✓                 | ✓           | –                         |
|             | 3840 x 2400/30              | 3840 x 2400 <sup>4</sup> | 73.0             | 30.0          | 286.2                 | ✓                 | ✓           | ✓                         |
|             | 3840 x 2400/50              | 3840 x 2400 <sup>4</sup> | 122.9            | 50.0          | 481.6                 | ✓                 | ✓           | –                         |
|             | 3840 x 2400/60              | 3840 x 2400 <sup>4</sup> | 148.1            | 60.0          | 592.5                 | ✓                 | ✓           | –                         |

1 Requires TY-SB01DL Interface Board for DIGITAL LINK.

2 The signal with 1/1.001x vertical scanning frequency is also supported.

3 YPbPr 4:2:0 format only

4 VESA CVT-RB (Reduced Blanking)-compliant

#### Note

- A signal with a different resolution, including SDI signal, is displayed converted to the number of display dots. The number of display dots is as follows.
  - When the [QUAD PIXEL DRIVE] is set to [ON]: 3840 x 2400
  - When the [QUAD PIXEL DRIVE] is set to [OFF]: 1920 x 1200
- The "i" at the end of the resolution indicates an interlaced signal.
- When interlaced signals are connected, flickering may occur on the projected image.

## List of Plug and play compatible signals

The following table specifies the video signals compatible with plug and play.

Signal with ✓ in the plug and play compatible signal column is the signal described in the EDID (extended display identification data) of the projector.

For the signal without ✓ in the plug and play compatible signal column, the resolution may not be selected on the computer even if the projector is supporting it.

| Signal name<br>(SIGNAL<br>FORMAT) | Resolution<br>(Dots)     | Scanning freq.      |                    | Dot clock<br>freq.<br>(MHz) | Plug and play compatible signal |        |    |                     |        |    |                           |                     |    |
|-----------------------------------|--------------------------|---------------------|--------------------|-----------------------------|---------------------------------|--------|----|---------------------|--------|----|---------------------------|---------------------|----|
|                                   |                          | Horizontal<br>(kHz) | Vertical<br>(Hz)   |                             | HDMI                            |        |    | DisplayPort         |        |    | DIGITAL LINK <sup>1</sup> |                     |    |
|                                   |                          |                     |                    |                             | 4K/60p <sup>2</sup>             | 4K/30p | 2K | 4K/60p <sup>2</sup> | 4K/30p | 2K | 4K/60p                    | 4K/30p <sup>3</sup> | 2K |
| 480/60p                           | 720 x 480                | 31.5                | 59.9               | 27.0                        | ✓                               | ✓      | ✓  | –                   | –      | –  | ✓                         | ✓                   | ✓  |
| 576/50p                           | 720 x 576                | 31.3                | 50.0               | 27.0                        | ✓                               | ✓      | ✓  | –                   | –      | –  | ✓                         | ✓                   | ✓  |
| 720/60p                           | 1280 x 720               | 45.0                | 60.0 <sup>4</sup>  | 74.3                        | ✓                               | ✓      | ✓  | ✓                   | ✓      | ✓  | ✓                         | ✓                   | ✓  |
| 720/50p                           | 1280 x 720               | 37.5                | 50.0               | 74.3                        | ✓                               | ✓      | ✓  | ✓                   | ✓      | ✓  | ✓                         | ✓                   | ✓  |
| 720/120p                          | 1280 x 720               | 90.0                | 120.0 <sup>4</sup> | 148.5                       | –                               | –      | –  | –                   | –      | –  | –                         | –                   | –  |
| 1080/60i                          | 1920 x 1080i             | 33.8                | 60.0 <sup>4</sup>  | 74.3                        | ✓                               | ✓      | ✓  | –                   | –      | –  | ✓                         | ✓                   | ✓  |
| 1080/50i                          | 1920 x 1080i             | 28.1                | 50.0               | 74.3                        | ✓                               | ✓      | ✓  | –                   | –      | –  | ✓                         | ✓                   | ✓  |
| 1080/24p                          | 1920 x 1080              | 27.0                | 24.0 <sup>4</sup>  | 74.3                        | ✓                               | ✓      | ✓  | ✓                   | ✓      | ✓  | ✓                         | ✓                   | ✓  |
| 1080/24sF                         | 1920 x 1080              | 27.0                | 48.0 <sup>4</sup>  | 74.3                        | –                               | –      | –  | –                   | –      | –  | –                         | –                   | –  |
| 1080/25p                          | 1920 x 1080              | 28.1                | 25.0               | 74.3                        | ✓                               | ✓      | ✓  | ✓                   | ✓      | ✓  | ✓                         | ✓                   | ✓  |
| 1080/30p                          | 1920 x 1080              | 33.8                | 30.0 <sup>4</sup>  | 74.3                        | ✓                               | ✓      | ✓  | ✓                   | ✓      | ✓  | ✓                         | ✓                   | ✓  |
| 1080/60p                          | 1920 x 1080              | 67.5                | 60.0 <sup>4</sup>  | 148.5                       | ✓                               | ✓      | ✓  | ✓                   | ✓      | ✓  | ✓                         | ✓                   | ✓  |
| 1080/50p                          | 1920 x 1080              | 56.3                | 50.0               | 148.5                       | ✓                               | ✓      | ✓  | ✓                   | ✓      | ✓  | ✓                         | ✓                   | ✓  |
| 1080/120p                         | 1920 x 1080              | 135.0               | 120.0 <sup>4</sup> | 297.0                       | ✓                               | ✓      | –  | ✓                   | ✓      | –  | ✓                         | ✓                   | –  |
| 2K/24p                            | 2048 x 1080              | 27.0                | 24.0 <sup>4</sup>  | 74.3                        | –                               | –      | –  | –                   | –      | –  | –                         | –                   | –  |
| 2K/25p                            | 2048 x 1080              | 28.1                | 25.0               | 74.3                        | –                               | –      | –  | –                   | –      | –  | –                         | –                   | –  |
| 2K/30p                            | 2048 x 1080              | 33.8                | 30.0 <sup>4</sup>  | 74.3                        | –                               | –      | –  | –                   | –      | –  | –                         | –                   | –  |
| 2K/48p                            | 2048 x 1080              | 54.0                | 48.0 <sup>4</sup>  | 148.5                       | –                               | –      | –  | –                   | –      | –  | –                         | –                   | –  |
| 2K/60p                            | 2048 x 1080              | 67.5                | 60.0 <sup>4</sup>  | 148.5                       | –                               | –      | –  | –                   | –      | –  | –                         | –                   | –  |
| 2K/50p                            | 2048 x 1080              | 56.3                | 50.0               | 148.5                       | –                               | –      | –  | –                   | –      | –  | –                         | –                   | –  |
| 2560 x 1080/60p                   | 2560 x 1080              | 66.0                | 60.0 <sup>4</sup>  | 198.0                       | ✓                               | ✓      | –  | ✓                   | ✓      | –  | ✓                         | ✓                   | –  |
| 2560 x 1080/50p                   | 2560 x 1080              | 56.3                | 50.0               | 185.6                       | ✓                               | ✓      | –  | ✓                   | ✓      | –  | ✓                         | ✓                   | –  |
| 3840 x 2160/24p                   | 3840 x 2160              | 54.0                | 24.0 <sup>4</sup>  | 297.0                       | ✓                               | ✓      | –  | ✓                   | ✓      | –  | ✓                         | ✓                   | –  |
| 3840 x 2160/25p                   | 3840 x 2160              | 56.3                | 25.0               | 297.0                       | ✓                               | ✓      | –  | ✓                   | ✓      | –  | ✓                         | ✓                   | –  |
| 3840 x 2160/30p                   | 3840 x 2160              | 67.5                | 30.0 <sup>4</sup>  | 297.0                       | ✓                               | ✓      | –  | ✓                   | ✓      | –  | ✓                         | ✓                   | –  |
| 3840 x 2160/60p                   | 3840 x 2160              | 135.0               | 60.0 <sup>4</sup>  | 297.0                       | ✓ <sup>5</sup>                  | –      | –  | –                   | –      | –  | ✓ <sup>5</sup>            | –                   | –  |
|                                   | 3840 x 2160              | 135.0               | 60.0 <sup>4</sup>  | 594.0                       | ✓                               | –      | –  | ✓                   | –      | –  | –                         | –                   | –  |
| 3840 x 2160/50p                   | 3840 x 2160              | 112.5               | 50.0               | 297.0                       | ✓ <sup>5</sup>                  | –      | –  | –                   | –      | –  | ✓ <sup>5</sup>            | –                   | –  |
|                                   | 3840 x 2160              | 112.5               | 50.0               | 594.0                       | ✓                               | –      | –  | ✓                   | –      | –  | –                         | –                   | –  |
| 4096 x 2160/24p                   | 4096 x 2160              | 54.0                | 24.0 <sup>4</sup>  | 297.0                       | ✓                               | ✓      | –  | ✓                   | ✓      | –  | ✓                         | ✓                   | –  |
| 4096 x 2160/25p                   | 4096 x 2160              | 56.3                | 25.0               | 297.0                       | ✓                               | ✓      | –  | ✓                   | ✓      | –  | ✓                         | ✓                   | –  |
| 4096 x 2160/30p                   | 4096 x 2160              | 67.5                | 30.0 <sup>4</sup>  | 297.0                       | ✓                               | ✓      | –  | ✓                   | ✓      | –  | ✓                         | ✓                   | –  |
| 4096 x 2160/60p                   | 4096 x 2160              | 135.0               | 60.0 <sup>4</sup>  | 297.0                       | ✓ <sup>5</sup>                  | –      | –  | –                   | –      | –  | ✓ <sup>5</sup>            | –                   | –  |
|                                   | 4096 x 2160              | 135.0               | 60.0 <sup>4</sup>  | 594.0                       | ✓                               | –      | –  | ✓                   | –      | –  | –                         | –                   | –  |
| 4096 x 2160/50p                   | 4096 x 2160              | 112.5               | 50.0               | 297.0                       | ✓ <sup>5</sup>                  | –      | –  | –                   | –      | –  | ✓ <sup>5</sup>            | –                   | –  |
|                                   | 4096 x 2160              | 112.5               | 50.0               | 594.0                       | ✓                               | –      | –  | ✓                   | –      | –  | –                         | –                   | –  |
| 640 x 480/60                      | 640 x 480                | 31.5                | 59.9               | 25.2                        | ✓                               | ✓      | ✓  | ✓                   | ✓      | ✓  | ✓                         | ✓                   | ✓  |
| 1024 x 768/50                     | 1024 x 768               | 39.6                | 50.0               | 51.9                        | –                               | –      | –  | –                   | –      | –  | –                         | –                   | –  |
| 1024 x 768/60                     | 1024 x 768               | 48.4                | 60.0               | 65.0                        | ✓                               | ✓      | ✓  | ✓                   | ✓      | ✓  | ✓                         | ✓                   | ✓  |
| 1280 x 800/50                     | 1280 x 800               | 41.3                | 50.0               | 68.0                        | –                               | –      | –  | –                   | –      | –  | –                         | –                   | –  |
| 1280 x 800/60                     | 1280 x 800               | 49.7                | 59.8               | 83.5                        | –                               | –      | –  | –                   | –      | –  | –                         | –                   | –  |
| 1280 x 1024/50                    | 1280 x 1024              | 52.4                | 50.0               | 88.0                        | –                               | –      | –  | –                   | –      | –  | –                         | –                   | –  |
| 1280 x 1024/60                    | 1280 x 1024              | 64.0                | 60.0               | 108.0                       | –                               | –      | –  | –                   | –      | –  | –                         | –                   | –  |
| 1366 x 768/50                     | 1366 x 768               | 39.6                | 49.9               | 69.0                        | –                               | –      | –  | –                   | –      | –  | –                         | –                   | –  |
| 1366 x 768/60                     | 1366 x 768               | 47.7                | 59.8               | 85.5                        | –                               | –      | –  | –                   | –      | –  | –                         | –                   | –  |
| 1400 x 1050/50                    | 1400 x 1050              | 54.1                | 50.0               | 99.9                        | –                               | –      | –  | –                   | –      | –  | –                         | –                   | –  |
| 1400 x 1050/60                    | 1400 x 1050              | 65.2                | 60.0               | 122.6                       | ✓                               | ✓      | ✓  | ✓                   | ✓      | ✓  | ✓                         | ✓                   | ✓  |
| 1440 x 900/50                     | 1440 x 900               | 46.3                | 49.9               | 86.8                        | –                               | –      | –  | –                   | –      | –  | –                         | –                   | –  |
| 1440 x 900/60                     | 1440 x 900               | 55.9                | 59.9               | 106.5                       | –                               | –      | –  | –                   | –      | –  | –                         | –                   | –  |
| 1600 x 900/50                     | 1600 x 900               | 46.4                | 49.9               | 96.5                        | –                               | –      | –  | –                   | –      | –  | –                         | –                   | –  |
| 1600 x 900/60                     | 1600 x 900               | 55.9                | 60.0               | 119.0                       | ✓                               | ✓      | ✓  | ✓                   | ✓      | ✓  | ✓                         | ✓                   | ✓  |
| 1600 x 1200/50                    | 1600 x 1200              | 61.8                | 49.9               | 131.5                       | –                               | –      | –  | –                   | –      | –  | –                         | –                   | –  |
| 1600 x 1200/60                    | 1600 x 1200              | 75.0                | 60.0               | 162.0                       | ✓                               | ✓      | ✓  | ✓                   | ✓      | ✓  | ✓                         | ✓                   | ✓  |
| 1680 x 1050/50                    | 1680 x 1050              | 54.1                | 50.0               | 119.5                       | –                               | –      | –  | –                   | –      | –  | –                         | –                   | –  |
| 1680 x 1050/60                    | 1680 x 1050              | 65.3                | 60.0               | 146.3                       | –                               | –      | –  | –                   | –      | –  | –                         | –                   | –  |
| 1920 x 1080/240                   | 1920 x 1080              | 291.6               | 240.0              | 583.2                       | ✓                               | –      | –  | ✓                   | –      | –  | –                         | –                   | –  |
| 1920 x 1200/50                    | 1920 x 1200              | 61.8                | 49.9               | 158.3                       | –                               | –      | –  | –                   | –      | –  | –                         | –                   | –  |
| 1920 x 1200/60RB                  | 1920 x 1200 <sup>6</sup> | 74.0                | 60.0               | 154.0                       | ✓                               | ✓      | ✓  | ✓                   | ✓      | ✓  | ✓                         | ✓                   | ✓  |
| 2560 x 1440/50                    | 2560 x 1440              | 74.1                | 50.0               | 256.3                       | –                               | –      | –  | –                   | –      | –  | –                         | –                   | –  |
| 2560 x 1440/60                    | 2560 x 1440 <sup>6</sup> | 88.8                | 60.0               | 241.5                       | –                               | –      | –  | –                   | –      | –  | –                         | –                   | –  |
| 2560 x 1600/50                    | 2560 x 1600              | 82.4                | 50.0               | 286.0                       | –                               | –      | –  | –                   | –      | –  | –                         | –                   | –  |

| Signal name<br>(SIGNAL<br>FORMAT) | Resolution<br>(Dots)     | Scanning freq.      |                  | Dot clock<br>freq.<br>(MHz) | Plug and play compatible signal |        |    |                     |        |    |                           |                     |    |
|-----------------------------------|--------------------------|---------------------|------------------|-----------------------------|---------------------------------|--------|----|---------------------|--------|----|---------------------------|---------------------|----|
|                                   |                          | Horizontal<br>(kHz) | Vertical<br>(Hz) |                             | HDMI                            |        |    | DisplayPort         |        |    | DIGITAL LINK <sup>1</sup> |                     |    |
|                                   |                          |                     |                  |                             | 4K/60p <sup>2</sup>             | 4K/30p | 2K | 4K/60p <sup>2</sup> | 4K/30p | 2K | 4K/60p                    | 4K/30p <sup>3</sup> | 2K |
| 2560 x 1600/60                    | 2560 x 1600 <sup>6</sup> | 98.7                | 60.0             | 268.5                       | ✓                               | ✓      | –  | ✓                   | ✓      | –  | ✓                         | ✓                   | –  |
| 3440 x 1440/50                    | 3440 x 1440 <sup>6</sup> | 73.7                | 50.0             | 259.4                       | –                               | –      | –  | –                   | –      | –  | –                         | –                   | –  |
| 3440 x 1440/60                    | 3440 x 1440 <sup>6</sup> | 88.9                | 60.0             | 312.8                       | –                               | –      | –  | –                   | –      | –  | –                         | –                   | –  |
| 3840 x 2400/30                    | 3840 x 2400 <sup>6</sup> | 73.0                | 30.0             | 286.2                       | –                               | –      | –  | –                   | –      | –  | –                         | –                   | –  |
| 3840 x 2400/50                    | 3840 x 2400 <sup>6</sup> | 122.9               | 50.0             | 481.6                       | –                               | –      | –  | –                   | –      | –  | –                         | –                   | –  |
| 3840 x 2400/60                    | 3840 x 2400 <sup>6</sup> | 148.1               | 60.0             | 592.5                       | ✓                               | –      | –  | ✓                   | –      | –  | –                         | –                   | –  |

- 1 Requires TY-SB01DL Interface Board for DIGITAL LINK.
- 2 4K/60p indicates 4K/60p/SDR and 4K/60p/HDR.
- 3 4K/30p indicates 4K/30p/SDR and 4K/30p/HDR.
- 4 The signal with 1/1.001x vertical scanning frequency is also supported.
- 5 YPbPr 4:2:0 format only
- 6 VESA CVT-RB (Reduced Blanking)-compliant

**Note**

- A signal with a different resolution, including SDI signal, is displayed converted to the number of display dots. The number of display dots is as follows.
  - When the [QUAD PIXEL DRIVE] is set to [ON]: 3840 x 2400
  - When the [QUAD PIXEL DRIVE] is set to [OFF]: 1920 x 1200
- The "i" at the end of the resolution indicates an interlaced signal.
- When interlaced signals are connected, flickering may occur on the projected image.

## List of Single link SDI compatible signals

The following table specifies the Single link SDI signals that the projector can project.

Requires TY-SB01QS Interface Board for 12G-SDI Input

- The content of the 4K division column is as follows.
  - IL: Interleave (transmission format of 2-Sample Interleave Division)
- The content of the signal type column is as follows.
  - V: Video signal

| Signal Type     | Signal name (SIGNAL FORMAT) | Resolution (Dots) | Scanning freq.    |                   | Dot clock freq. (MHz) | 4K division   | Format         | Color format | Sampling    |
|-----------------|-----------------------------|-------------------|-------------------|-------------------|-----------------------|---------------|----------------|--------------|-------------|
|                 |                             |                   | Horizontal (kHz)  | Vertical (Hz)     |                       |               |                |              |             |
| V               | 1080/60i                    | 1920 x 1080i      | 33.8              | 60.0 <sup>f</sup> | 74.3                  | —             | HD-SDI         | YPbPr        | 4:2:2 10bit |
|                 |                             | 1920 x 1080i      | 33.8              | 60.0 <sup>f</sup> | 74.3                  | —             | 3G-SDI Level-A | RGB          | 4:4:4 10bit |
|                 |                             | 1920 x 1080i      | 33.8              | 60.0 <sup>f</sup> | 74.3                  | —             | 3G-SDI Level-B | RGB          | 4:4:4 10bit |
|                 |                             | 1920 x 1080i      | 33.8              | 60.0 <sup>f</sup> | 74.3                  | —             | 3G-SDI Level-A | RGB          | 4:4:4 12bit |
|                 | 1080/50i                    | 1920 x 1080i      | 28.1              | 50.0              | 74.3                  | —             | HD-SDI         | YPbPr        | 4:2:2 10bit |
|                 |                             | 1920 x 1080i      | 28.1              | 50.0              | 74.3                  | —             | 3G-SDI Level-A | RGB          | 4:4:4 10bit |
|                 |                             | 1920 x 1080i      | 28.1              | 50.0              | 74.3                  | —             | 3G-SDI Level-B | RGB          | 4:4:4 10bit |
|                 |                             | 1920 x 1080i      | 28.1              | 50.0              | 74.3                  | —             | 3G-SDI Level-A | RGB          | 4:4:4 12bit |
|                 | 1080/24p                    | 1920 x 1080       | 27.0              | 24.0 <sup>f</sup> | 74.3                  | —             | HD-SDI         | YPbPr        | 4:2:2 10bit |
|                 |                             | 1920 x 1080       | 27.0              | 24.0 <sup>f</sup> | 74.3                  | —             | 3G-SDI Level-A | RGB          | 4:4:4 10bit |
|                 |                             | 1920 x 1080       | 27.0              | 24.0 <sup>f</sup> | 74.3                  | —             | 3G-SDI Level-B | RGB          | 4:4:4 10bit |
|                 |                             | 1920 x 1080       | 27.0              | 24.0 <sup>f</sup> | 74.3                  | —             | 3G-SDI Level-A | RGB          | 4:4:4 12bit |
|                 | 1080/25p                    | 1920 x 1080       | 27.0              | 24.0 <sup>f</sup> | 74.3                  | —             | 3G-SDI Level-B | RGB          | 4:4:4 12bit |
|                 |                             | 1920 x 1080       | 28.1              | 25.0              | 74.3                  | —             | HD-SDI         | YPbPr        | 4:2:2 10bit |
|                 |                             | 1920 x 1080       | 28.1              | 25.0              | 74.3                  | —             | 3G-SDI Level-A | RGB          | 4:4:4 10bit |
|                 |                             | 1920 x 1080       | 28.1              | 25.0              | 74.3                  | —             | 3G-SDI Level-B | RGB          | 4:4:4 10bit |
|                 | 1080/30p                    | 1920 x 1080       | 28.1              | 25.0              | 74.3                  | —             | 3G-SDI Level-A | RGB          | 4:4:4 12bit |
|                 |                             | 1920 x 1080       | 28.1              | 25.0              | 74.3                  | —             | 3G-SDI Level-B | RGB          | 4:4:4 12bit |
|                 |                             | 1920 x 1080       | 33.8              | 30.0 <sup>f</sup> | 74.3                  | —             | HD-SDI         | YPbPr        | 4:2:2 10bit |
|                 |                             | 1920 x 1080       | 33.8              | 30.0 <sup>f</sup> | 74.3                  | —             | 3G-SDI Level-A | RGB          | 4:4:4 10bit |
|                 | 1080/60p                    | 1920 x 1080       | 33.8              | 30.0 <sup>f</sup> | 74.3                  | —             | 3G-SDI Level-B | RGB          | 4:4:4 10bit |
|                 |                             | 1920 x 1080       | 33.8              | 30.0 <sup>f</sup> | 74.3                  | —             | 3G-SDI Level-A | RGB          | 4:4:4 12bit |
|                 |                             | 1920 x 1080       | 67.5              | 60.0 <sup>f</sup> | 148.5                 | —             | 3G-SDI Level-B | RGB          | 4:4:4 12bit |
|                 |                             | 1920 x 1080       | 67.5              | 60.0 <sup>f</sup> | 148.5                 | —             | 3G-SDI Level-A | YPbPr        | 4:2:2 10bit |
|                 | 1080/50p                    | 1920 x 1080       | 56.3              | 50.0              | 148.5                 | —             | 3G-SDI Level-B | YPbPr        | 4:2:2 10bit |
|                 |                             | 1920 x 1080       | 56.3              | 50.0              | 148.5                 | —             | 3G-SDI Level-A | YPbPr        | 4:2:2 10bit |
|                 | 2K/24p                      | 2048 x 1080       | 27.0              | 24.0 <sup>f</sup> | 74.3                  | —             | 3G-SDI Level-A | RGB          | 4:4:4 10bit |
|                 |                             | 2048 x 1080       | 27.0              | 24.0 <sup>f</sup> | 74.3                  | —             | 3G-SDI Level-B | RGB          | 4:4:4 10bit |
|                 |                             | 2048 x 1080       | 27.0              | 24.0 <sup>f</sup> | 74.3                  | —             | 3G-SDI Level-A | RGB          | 4:4:4 12bit |
|                 |                             | 2048 x 1080       | 27.0              | 24.0 <sup>f</sup> | 74.3                  | —             | 3G-SDI Level-B | RGB          | 4:4:4 12bit |
|                 | 2K/25p                      | 2048 x 1080       | 28.1              | 25.0              | 74.3                  | —             | 3G-SDI Level-A | RGB          | 4:4:4 10bit |
|                 |                             | 2048 x 1080       | 28.1              | 25.0              | 74.3                  | —             | 3G-SDI Level-B | RGB          | 4:4:4 10bit |
|                 |                             | 2048 x 1080       | 28.1              | 25.0              | 74.3                  | —             | 3G-SDI Level-A | RGB          | 4:4:4 12bit |
|                 |                             | 2048 x 1080       | 28.1              | 25.0              | 74.3                  | —             | 3G-SDI Level-B | RGB          | 4:4:4 12bit |
|                 | 2K/30p                      | 2048 x 1080       | 28.1              | 25.0              | 74.3                  | —             | 3G-SDI Level-A | RGB          | 4:4:4 12bit |
|                 |                             | 2048 x 1080       | 28.1              | 25.0              | 74.3                  | —             | 3G-SDI Level-B | RGB          | 4:4:4 12bit |
|                 |                             | 2048 x 1080       | 33.8              | 30.0 <sup>f</sup> | 74.3                  | —             | 3G-SDI Level-A | RGB          | 4:4:4 10bit |
|                 |                             | 2048 x 1080       | 33.8              | 30.0 <sup>f</sup> | 74.3                  | —             | 3G-SDI Level-B | RGB          | 4:4:4 10bit |
|                 | 2K/60p                      | 2048 x 1080       | 67.5              | 60.0 <sup>f</sup> | 148.5                 | —             | 3G-SDI Level-A | YPbPr        | 4:2:2 10bit |
|                 |                             | 2048 x 1080       | 67.5              | 60.0 <sup>f</sup> | 148.5                 | —             | 3G-SDI Level-B | YPbPr        | 4:2:2 10bit |
|                 | 2K/50p                      | 2048 x 1080       | 56.3              | 50.0              | 148.5                 | —             | 3G-SDI Level-A | YPbPr        | 4:2:2 10bit |
|                 |                             | 2048 x 1080       | 56.3              | 50.0              | 148.5                 | —             | 3G-SDI Level-B | YPbPr        | 4:2:2 10bit |
|                 | 3840 x 2160/24p             | 3840 x 2160       | 54.0              | 24.0 <sup>f</sup> | 297.0                 | IL            | 12G-SDI Type1  | YPbPr        | 4:2:2 12bit |
|                 |                             | 3840 x 2160       | 54.0              | 24.0 <sup>f</sup> | 297.0                 | IL            | 12G-SDI Type1  | YPbPr        | 4:4:4 10bit |
|                 |                             | 3840 x 2160       | 54.0              | 24.0 <sup>f</sup> | 297.0                 | IL            | 12G-SDI Type1  | YPbPr        | 4:4:4 12bit |
|                 |                             | 3840 x 2160       | 54.0              | 24.0 <sup>f</sup> | 297.0                 | IL            | 12G-SDI Type1  | RGB          | 4:4:4 10bit |
|                 | 3840 x 2160/25p             | 3840 x 2160       | 54.0              | 24.0 <sup>f</sup> | 297.0                 | IL            | 12G-SDI Type1  | RGB          | 4:4:4 12bit |
|                 |                             | 3840 x 2160       | 56.3              | 25.0              | 297.0                 | IL            | 12G-SDI Type1  | YPbPr        | 4:2:2 12bit |
| 3840 x 2160     |                             | 56.3              | 25.0              | 297.0             | IL                    | 12G-SDI Type1 | YPbPr          | 4:4:4 10bit  |             |
| 3840 x 2160     |                             | 56.3              | 25.0              | 297.0             | IL                    | 12G-SDI Type1 | YPbPr          | 4:4:4 12bit  |             |
| 3840 x 2160/30p | 3840 x 2160                 | 56.3              | 25.0              | 297.0             | IL                    | 12G-SDI Type1 | RGB            | 4:4:4 10bit  |             |
|                 | 3840 x 2160                 | 56.3              | 25.0              | 297.0             | IL                    | 12G-SDI Type1 | RGB            | 4:4:4 12bit  |             |
|                 | 3840 x 2160                 | 67.5              | 30.0 <sup>f</sup> | 297.0             | IL                    | 12G-SDI Type1 | YPbPr          | 4:2:2 12bit  |             |
|                 | 3840 x 2160                 | 67.5              | 30.0 <sup>f</sup> | 297.0             | IL                    | 12G-SDI Type1 | YPbPr          | 4:4:4 10bit  |             |
| 3840 x 2160/30p | 3840 x 2160                 | 67.5              | 30.0 <sup>f</sup> | 297.0             | IL                    | 12G-SDI Type1 | YPbPr          | 4:4:4 12bit  |             |
|                 | 3840 x 2160                 | 67.5              | 30.0 <sup>f</sup> | 297.0             | IL                    | 12G-SDI Type1 | YPbPr          | 4:4:4 12bit  |             |
|                 | 3840 x 2160                 | 67.5              | 30.0 <sup>f</sup> | 297.0             | IL                    | 12G-SDI Type1 | RGB            | 4:4:4 10bit  |             |
|                 | 3840 x 2160                 | 67.5              | 30.0 <sup>f</sup> | 297.0             | IL                    | 12G-SDI Type1 | RGB            | 4:4:4 12bit  |             |

| Signal Type | Signal name (SIGNAL FORMAT) | Resolution (Dots) | Scanning freq.   |                   | Dot clock freq. (MHz) | 4K division | Format        | Color format  | Sampling    |             |
|-------------|-----------------------------|-------------------|------------------|-------------------|-----------------------|-------------|---------------|---------------|-------------|-------------|
|             |                             |                   | Horizontal (kHz) | Vertical (Hz)     |                       |             |               |               |             |             |
| V           | 3840 x 2160/60p             | 3840 x 2160       | 135.0            | 60.0 <sup>1</sup> | 594.0                 | IL          | 12G-SDI Type1 | YPbPr         | 4:2:2 10bit |             |
|             | 3840 x 2160/50p             | 3840 x 2160       | 112.5            | 50.0              | 594.0                 | IL          | 12G-SDI Type1 | YPbPr         | 4:2:2 10bit |             |
|             | 4096 x 2160/24p             | 4096 x 2160       | 4096 x 2160      | 54.0              | 24.0 <sup>1</sup>     | 297.0       | IL            | 12G-SDI Type1 | YPbPr       | 4:2:2 12bit |
|             |                             | 4096 x 2160       | 4096 x 2160      | 54.0              | 24.0 <sup>1</sup>     | 297.0       | IL            | 12G-SDI Type1 | YPbPr       | 4:4:4 10bit |
|             |                             | 4096 x 2160       | 4096 x 2160      | 54.0              | 24.0 <sup>1</sup>     | 297.0       | IL            | 12G-SDI Type1 | YPbPr       | 4:4:4 12bit |
|             |                             | 4096 x 2160       | 4096 x 2160      | 54.0              | 24.0 <sup>1</sup>     | 297.0       | IL            | 12G-SDI Type1 | RGB         | 4:4:4 10bit |
|             |                             | 4096 x 2160       | 4096 x 2160      | 54.0              | 24.0 <sup>1</sup>     | 297.0       | IL            | 12G-SDI Type1 | RGB         | 4:4:4 12bit |
|             | 4096 x 2160/25p             | 4096 x 2160       | 4096 x 2160      | 56.3              | 25.0                  | 297.0       | IL            | 12G-SDI Type1 | YPbPr       | 4:2:2 12bit |
|             |                             | 4096 x 2160       | 4096 x 2160      | 56.3              | 25.0                  | 297.0       | IL            | 12G-SDI Type1 | YPbPr       | 4:4:4 10bit |
|             |                             | 4096 x 2160       | 4096 x 2160      | 56.3              | 25.0                  | 297.0       | IL            | 12G-SDI Type1 | YPbPr       | 4:4:4 12bit |
|             |                             | 4096 x 2160       | 4096 x 2160      | 56.3              | 25.0                  | 297.0       | IL            | 12G-SDI Type1 | RGB         | 4:4:4 10bit |
|             |                             | 4096 x 2160       | 4096 x 2160      | 56.3              | 25.0                  | 297.0       | IL            | 12G-SDI Type1 | RGB         | 4:4:4 12bit |
|             | 4096 x 2160/30p             | 4096 x 2160       | 4096 x 2160      | 67.5              | 30.0 <sup>1</sup>     | 297.0       | IL            | 12G-SDI Type1 | YPbPr       | 4:2:2 12bit |
|             |                             | 4096 x 2160       | 4096 x 2160      | 67.5              | 30.0 <sup>1</sup>     | 297.0       | IL            | 12G-SDI Type1 | YPbPr       | 4:4:4 10bit |
|             |                             | 4096 x 2160       | 4096 x 2160      | 67.5              | 30.0 <sup>1</sup>     | 297.0       | IL            | 12G-SDI Type1 | YPbPr       | 4:4:4 12bit |
|             |                             | 4096 x 2160       | 4096 x 2160      | 67.5              | 30.0 <sup>1</sup>     | 297.0       | IL            | 12G-SDI Type1 | RGB         | 4:4:4 10bit |
|             |                             | 4096 x 2160       | 4096 x 2160      | 67.5              | 30.0 <sup>1</sup>     | 297.0       | IL            | 12G-SDI Type1 | RGB         | 4:4:4 12bit |
|             | 4096 x 2160/60p             | 4096 x 2160       | 135.0            | 60.0 <sup>1</sup> | 594.0                 | IL          | 12G-SDI Type1 | YPbPr         | 4:2:2 10bit |             |
|             | 4096 x 2160/50p             | 4096 x 2160       | 112.5            | 50.0              | 594.0                 | IL          | 12G-SDI Type1 | YPbPr         | 4:2:2 10bit |             |

1 The signal with 1/1.001x vertical scanning frequency is also supported.

## List of Quad link SDI compatible signals

The following table specifies the dual signal SDI signals that the projector can project.

Requires TY-SB01QS Interface Board for 12G-SDI Input.

- The content of the 4K division column is as follows.
  - SQ: Square (transmission format of Square Division) -IL: Interleave (transmission format of 2-Sample Interleave Division)
- The content of the signal type column is as follows.
  - V: Video signal

| Signal Type | Signal name (SIGNAL FORMAT) | Resolution (Dots) | Scanning freq.    |                   | Dot clock freq. (MHz) | 4K division    | Format         | Color format | Sampling    |
|-------------|-----------------------------|-------------------|-------------------|-------------------|-----------------------|----------------|----------------|--------------|-------------|
|             |                             |                   | Horizontal (kHz)  | Vertical (Hz)     |                       |                |                |              |             |
| V           | 3840 x 2160/24p             | 3840 x 2160       | 54.0              | 24.0 <sup>1</sup> | 297.0                 | SQ             | HD-SDI         | YPbPr        | 4:2:2 10bit |
|             |                             | 3840 x 2160       | 54.0              | 24.0 <sup>1</sup> | 297.0                 | SQ             | 3G-SDI Level-A | YPbPr        | 4:2:2 12bit |
|             |                             | 3840 x 2160       | 54.0              | 24.0 <sup>1</sup> | 297.0                 | IL             | 3G-SDI Level-A | YPbPr        | 4:2:2 12bit |
|             |                             | 3840 x 2160       | 54.0              | 24.0 <sup>1</sup> | 297.0                 | SQ             | 3G-SDI Level-B | YPbPr        | 4:2:2 12bit |
|             |                             | 3840 x 2160       | 54.0              | 24.0 <sup>1</sup> | 297.0                 | IL             | 3G-SDI Level-B | YPbPr        | 4:2:2 12bit |
|             |                             | 3840 x 2160       | 54.0              | 24.0 <sup>1</sup> | 297.0                 | SQ             | 3G-SDI Level-A | YPbPr        | 4:4:4 10bit |
|             |                             | 3840 x 2160       | 54.0              | 24.0 <sup>1</sup> | 297.0                 | IL             | 3G-SDI Level-A | YPbPr        | 4:4:4 10bit |
|             |                             | 3840 x 2160       | 54.0              | 24.0 <sup>1</sup> | 297.0                 | SQ             | 3G-SDI Level-B | YPbPr        | 4:4:4 10bit |
|             |                             | 3840 x 2160       | 54.0              | 24.0 <sup>1</sup> | 297.0                 | IL             | 3G-SDI Level-B | YPbPr        | 4:4:4 10bit |
|             |                             | 3840 x 2160       | 54.0              | 24.0 <sup>1</sup> | 297.0                 | SQ             | 3G-SDI Level-A | YPbPr        | 4:4:4 12bit |
|             |                             | 3840 x 2160       | 54.0              | 24.0 <sup>1</sup> | 297.0                 | IL             | 3G-SDI Level-A | YPbPr        | 4:4:4 12bit |
|             |                             | 3840 x 2160       | 54.0              | 24.0 <sup>1</sup> | 297.0                 | SQ             | 3G-SDI Level-B | YPbPr        | 4:4:4 12bit |
|             |                             | 3840 x 2160       | 54.0              | 24.0 <sup>1</sup> | 297.0                 | IL             | 3G-SDI Level-B | YPbPr        | 4:4:4 12bit |
|             |                             | 3840 x 2160       | 54.0              | 24.0 <sup>1</sup> | 297.0                 | SQ             | 3G-SDI Level-A | RGB          | 4:4:4 10bit |
|             |                             | 3840 x 2160       | 54.0              | 24.0 <sup>1</sup> | 297.0                 | IL             | 3G-SDI Level-A | RGB          | 4:4:4 10bit |
|             |                             | 3840 x 2160       | 54.0              | 24.0 <sup>1</sup> | 297.0                 | SQ             | 3G-SDI Level-B | RGB          | 4:4:4 10bit |
|             |                             | 3840 x 2160       | 54.0              | 24.0 <sup>1</sup> | 297.0                 | IL             | 3G-SDI Level-B | RGB          | 4:4:4 10bit |
|             |                             | 3840 x 2160/25p   | 3840 x 2160       | 56.3              | 25.0                  | 297.0          | SQ             | HD-SDI       | YPbPr       |
|             | 3840 x 2160                 |                   | 56.3              | 25.0              | 297.0                 | SQ             | 3G-SDI Level-A | YPbPr        | 4:2:2 12bit |
|             | 3840 x 2160                 |                   | 56.3              | 25.0              | 297.0                 | IL             | 3G-SDI Level-A | YPbPr        | 4:2:2 12bit |
|             | 3840 x 2160                 |                   | 56.3              | 25.0              | 297.0                 | SQ             | 3G-SDI Level-B | YPbPr        | 4:2:2 12bit |
|             | 3840 x 2160                 |                   | 56.3              | 25.0              | 297.0                 | IL             | 3G-SDI Level-B | YPbPr        | 4:2:2 12bit |
|             | 3840 x 2160                 |                   | 56.3              | 25.0              | 297.0                 | SQ             | 3G-SDI Level-A | YPbPr        | 4:4:4 10bit |
|             | 3840 x 2160                 |                   | 56.3              | 25.0              | 297.0                 | IL             | 3G-SDI Level-A | YPbPr        | 4:4:4 10bit |
|             | 3840 x 2160                 |                   | 56.3              | 25.0              | 297.0                 | SQ             | 3G-SDI Level-B | YPbPr        | 4:4:4 10bit |
|             | 3840 x 2160                 |                   | 56.3              | 25.0              | 297.0                 | IL             | 3G-SDI Level-B | YPbPr        | 4:4:4 10bit |
|             | 3840 x 2160                 |                   | 56.3              | 25.0              | 297.0                 | SQ             | 3G-SDI Level-A | YPbPr        | 4:4:4 12bit |
|             | 3840 x 2160                 |                   | 56.3              | 25.0              | 297.0                 | IL             | 3G-SDI Level-A | YPbPr        | 4:4:4 12bit |
|             | 3840 x 2160                 |                   | 56.3              | 25.0              | 297.0                 | SQ             | 3G-SDI Level-B | YPbPr        | 4:4:4 12bit |
|             | 3840 x 2160                 |                   | 56.3              | 25.0              | 297.0                 | IL             | 3G-SDI Level-B | YPbPr        | 4:4:4 12bit |
|             | 3840 x 2160                 |                   | 56.3              | 25.0              | 297.0                 | SQ             | 3G-SDI Level-A | RGB          | 4:4:4 10bit |
|             | 3840 x 2160                 |                   | 56.3              | 25.0              | 297.0                 | IL             | 3G-SDI Level-A | RGB          | 4:4:4 10bit |
|             | 3840 x 2160                 |                   | 56.3              | 25.0              | 297.0                 | SQ             | 3G-SDI Level-B | RGB          | 4:4:4 10bit |
|             | 3840 x 2160                 |                   | 56.3              | 25.0              | 297.0                 | IL             | 3G-SDI Level-B | RGB          | 4:4:4 10bit |
|             | 3840 x 2160/30p             |                   | 3840 x 2160       | 67.5              | 30.0 <sup>1</sup>     | 297.0          | SQ             | HD-SDI       | YPbPr       |
|             |                             | 3840 x 2160       | 67.5              | 30.0 <sup>1</sup> | 297.0                 | SQ             | 3G-SDI Level-A | YPbPr        | 4:2:2 12bit |
|             |                             | 3840 x 2160       | 67.5              | 30.0 <sup>1</sup> | 297.0                 | IL             | 3G-SDI Level-A | YPbPr        | 4:2:2 12bit |
|             |                             | 3840 x 2160       | 67.5              | 30.0 <sup>1</sup> | 297.0                 | SQ             | 3G-SDI Level-B | YPbPr        | 4:2:2 12bit |
|             |                             | 3840 x 2160       | 67.5              | 30.0 <sup>1</sup> | 297.0                 | IL             | 3G-SDI Level-B | YPbPr        | 4:2:2 12bit |
|             |                             | 3840 x 2160       | 67.5              | 30.0 <sup>1</sup> | 297.0                 | SQ             | 3G-SDI Level-A | YPbPr        | 4:4:4 10bit |
|             |                             | 3840 x 2160       | 67.5              | 30.0 <sup>1</sup> | 297.0                 | IL             | 3G-SDI Level-A | YPbPr        | 4:4:4 10bit |
|             |                             | 3840 x 2160       | 67.5              | 30.0 <sup>1</sup> | 297.0                 | SQ             | 3G-SDI Level-B | YPbPr        | 4:4:4 10bit |
| 3840 x 2160 |                             | 67.5              | 30.0 <sup>1</sup> | 297.0             | IL                    | 3G-SDI Level-B | YPbPr          | 4:4:4 10bit  |             |
| 3840 x 2160 |                             | 67.5              | 30.0 <sup>1</sup> | 297.0             | SQ                    | 3G-SDI Level-A | YPbPr          | 4:4:4 12bit  |             |
| 3840 x 2160 |                             | 67.5              | 30.0 <sup>1</sup> | 297.0             | IL                    | 3G-SDI Level-A | YPbPr          | 4:4:4 12bit  |             |
| 3840 x 2160 |                             | 67.5              | 30.0 <sup>1</sup> | 297.0             | SQ                    | 3G-SDI Level-B | YPbPr          | 4:4:4 12bit  |             |
| 3840 x 2160 |                             | 67.5              | 30.0 <sup>1</sup> | 297.0             | IL                    | 3G-SDI Level-B | YPbPr          | 4:4:4 12bit  |             |
| 3840 x 2160 |                             | 67.5              | 30.0 <sup>1</sup> | 297.0             | SQ                    | 3G-SDI Level-A | RGB            | 4:4:4 10bit  |             |
| 3840 x 2160 |                             | 67.5              | 30.0 <sup>1</sup> | 297.0             | IL                    | 3G-SDI Level-A | RGB            | 4:4:4 10bit  |             |
| 3840 x 2160 |                             | 67.5              | 30.0 <sup>1</sup> | 297.0             | SQ                    | 3G-SDI Level-B | RGB            | 4:4:4 10bit  |             |
| 3840 x 2160 | 67.5                        | 30.0 <sup>1</sup> | 297.0             | IL                | 3G-SDI Level-B        | RGB            | 4:4:4 10bit    |              |             |

| Signal Type | Signal name (SIGNAL FORMAT) | Resolution (Dots) | Scanning freq.    |                   | Dot clock freq. (MHz) | 4K division    | Format         | Color format   | Sampling    |             |
|-------------|-----------------------------|-------------------|-------------------|-------------------|-----------------------|----------------|----------------|----------------|-------------|-------------|
|             |                             |                   | Horizontal (kHz)  | Vertical (Hz)     |                       |                |                |                |             |             |
| V           | 3840 x 2160/30p             | 3840 x 2160       | 67.5              | 30.0 <sup>1</sup> | 297.0                 | SQ             | 3G-SDI Level-A | RGB            | 4:4:4 12bit |             |
|             |                             | 3840 x 2160       | 67.5              | 30.0 <sup>1</sup> | 297.0                 | IL             | 3G-SDI Level-A | RGB            | 4:4:4 12bit |             |
|             |                             | 3840 x 2160       | 67.5              | 30.0 <sup>1</sup> | 297.0                 | SQ             | 3G-SDI Level-B | RGB            | 4:4:4 12bit |             |
|             |                             | 3840 x 2160       | 67.5              | 30.0 <sup>1</sup> | 297.0                 | IL             | 3G-SDI Level-B | RGB            | 4:4:4 12bit |             |
|             | 3840 x 2160/60p             | 3840 x 2160       | 135.0             | 60.0 <sup>1</sup> | 594.0                 | SQ             | 3G-SDI Level-A | YPbPr          | 4:2:2 10bit |             |
|             |                             | 3840 x 2160       | 135.0             | 60.0 <sup>1</sup> | 594.0                 | IL             | 3G-SDI Level-A | YPbPr          | 4:2:2 10bit |             |
|             |                             | 3840 x 2160       | 135.0             | 60.0 <sup>1</sup> | 594.0                 | SQ             | 3G-SDI Level-B | YPbPr          | 4:2:2 10bit |             |
|             | 3840 x 2160/50p             | 3840 x 2160       | 112.5             | 50.0              | 594.0                 | SQ             | 3G-SDI Level-A | YPbPr          | 4:2:2 10bit |             |
|             |                             | 3840 x 2160       | 112.5             | 50.0              | 594.0                 | IL             | 3G-SDI Level-A | YPbPr          | 4:2:2 10bit |             |
|             |                             | 3840 x 2160       | 112.5             | 50.0              | 594.0                 | SQ             | 3G-SDI Level-B | YPbPr          | 4:2:2 10bit |             |
|             |                             | 3840 x 2160       | 112.5             | 50.0              | 594.0                 | IL             | 3G-SDI Level-B | YPbPr          | 4:2:2 10bit |             |
|             | 4096 x 2160/24p             | 4096 x 2160       | 54.0              | 24.0 <sup>1</sup> | 297.0                 | SQ             | HD-SDI         | YPbPr          | 4:2:2 10bit |             |
|             |                             | 4096 x 2160       | 54.0              | 24.0 <sup>1</sup> | 297.0                 | SQ             | 3G-SDI Level-A | YPbPr          | 4:2:2 12bit |             |
|             |                             | 4096 x 2160       | 54.0              | 24.0 <sup>1</sup> | 297.0                 | IL             | 3G-SDI Level-A | YPbPr          | 4:2:2 12bit |             |
|             |                             | 4096 x 2160       | 54.0              | 24.0 <sup>1</sup> | 297.0                 | SQ             | 3G-SDI Level-B | YPbPr          | 4:2:2 12bit |             |
|             |                             | 4096 x 2160       | 54.0              | 24.0 <sup>1</sup> | 297.0                 | IL             | 3G-SDI Level-B | YPbPr          | 4:2:2 12bit |             |
|             |                             | 4096 x 2160       | 54.0              | 24.0 <sup>1</sup> | 297.0                 | SQ             | 3G-SDI Level-A | YPbPr          | 4:4:4 10bit |             |
|             |                             | 4096 x 2160       | 54.0              | 24.0 <sup>1</sup> | 297.0                 | IL             | 3G-SDI Level-A | YPbPr          | 4:4:4 10bit |             |
|             |                             | 4096 x 2160       | 54.0              | 24.0 <sup>1</sup> | 297.0                 | SQ             | 3G-SDI Level-B | YPbPr          | 4:4:4 10bit |             |
|             |                             | 4096 x 2160       | 54.0              | 24.0 <sup>1</sup> | 297.0                 | IL             | 3G-SDI Level-B | YPbPr          | 4:4:4 10bit |             |
|             |                             | 4096 x 2160       | 54.0              | 24.0 <sup>1</sup> | 297.0                 | SQ             | 3G-SDI Level-A | YPbPr          | 4:4:4 12bit |             |
|             |                             | 4096 x 2160       | 54.0              | 24.0 <sup>1</sup> | 297.0                 | IL             | 3G-SDI Level-A | YPbPr          | 4:4:4 12bit |             |
|             |                             | 4096 x 2160       | 54.0              | 24.0 <sup>1</sup> | 297.0                 | SQ             | 3G-SDI Level-B | YPbPr          | 4:4:4 12bit |             |
|             |                             | 4096 x 2160       | 54.0              | 24.0 <sup>1</sup> | 297.0                 | IL             | 3G-SDI Level-B | YPbPr          | 4:4:4 12bit |             |
|             |                             | 4096 x 2160       | 54.0              | 24.0 <sup>1</sup> | 297.0                 | SQ             | 3G-SDI Level-A | RGB            | 4:4:4 10bit |             |
|             |                             | 4096 x 2160       | 54.0              | 24.0 <sup>1</sup> | 297.0                 | IL             | 3G-SDI Level-A | RGB            | 4:4:4 10bit |             |
|             |                             | 4096 x 2160       | 54.0              | 24.0 <sup>1</sup> | 297.0                 | SQ             | 3G-SDI Level-B | RGB            | 4:4:4 10bit |             |
|             |                             | 4096 x 2160       | 54.0              | 24.0 <sup>1</sup> | 297.0                 | IL             | 3G-SDI Level-B | RGB            | 4:4:4 10bit |             |
|             |                             | 4096 x 2160/25p   | 4096 x 2160       | 56.3              | 25.0                  | 297.0          | SQ             | HD-SDI         | YPbPr       | 4:2:2 10bit |
|             |                             |                   | 4096 x 2160       | 56.3              | 25.0                  | 297.0          | SQ             | 3G-SDI Level-A | YPbPr       | 4:2:2 12bit |
|             |                             |                   | 4096 x 2160       | 56.3              | 25.0                  | 297.0          | IL             | 3G-SDI Level-A | YPbPr       | 4:2:2 12bit |
|             | 4096 x 2160                 |                   | 56.3              | 25.0              | 297.0                 | SQ             | 3G-SDI Level-B | YPbPr          | 4:2:2 12bit |             |
|             | 4096 x 2160                 |                   | 56.3              | 25.0              | 297.0                 | IL             | 3G-SDI Level-B | YPbPr          | 4:2:2 12bit |             |
|             | 4096 x 2160                 |                   | 56.3              | 25.0              | 297.0                 | SQ             | 3G-SDI Level-A | YPbPr          | 4:4:4 10bit |             |
|             | 4096 x 2160                 |                   | 56.3              | 25.0              | 297.0                 | IL             | 3G-SDI Level-A | YPbPr          | 4:4:4 10bit |             |
|             | 4096 x 2160                 |                   | 56.3              | 25.0              | 297.0                 | SQ             | 3G-SDI Level-B | YPbPr          | 4:4:4 10bit |             |
|             | 4096 x 2160                 |                   | 56.3              | 25.0              | 297.0                 | IL             | 3G-SDI Level-B | YPbPr          | 4:4:4 10bit |             |
|             | 4096 x 2160                 |                   | 56.3              | 25.0              | 297.0                 | SQ             | 3G-SDI Level-A | YPbPr          | 4:4:4 12bit |             |
|             | 4096 x 2160                 |                   | 56.3              | 25.0              | 297.0                 | IL             | 3G-SDI Level-A | YPbPr          | 4:4:4 12bit |             |
|             | 4096 x 2160                 |                   | 56.3              | 25.0              | 297.0                 | SQ             | 3G-SDI Level-B | YPbPr          | 4:4:4 12bit |             |
|             | 4096 x 2160                 |                   | 56.3              | 25.0              | 297.0                 | IL             | 3G-SDI Level-B | YPbPr          | 4:4:4 12bit |             |
|             | 4096 x 2160                 |                   | 56.3              | 25.0              | 297.0                 | SQ             | 3G-SDI Level-A | RGB            | 4:4:4 10bit |             |
|             | 4096 x 2160                 |                   | 56.3              | 25.0              | 297.0                 | IL             | 3G-SDI Level-A | RGB            | 4:4:4 10bit |             |
|             | 4096 x 2160                 |                   | 56.3              | 25.0              | 297.0                 | SQ             | 3G-SDI Level-B | RGB            | 4:4:4 10bit |             |
|             | 4096 x 2160                 |                   | 56.3              | 25.0              | 297.0                 | IL             | 3G-SDI Level-B | RGB            | 4:4:4 10bit |             |
|             | 4096 x 2160/30p             |                   | 4096 x 2160       | 67.5              | 30.0 <sup>1</sup>     | 297.0          | SQ             | HD-SDI         | YPbPr       | 4:2:2 10bit |
|             |                             |                   | 4096 x 2160       | 67.5              | 30.0 <sup>1</sup>     | 297.0          | SQ             | 3G-SDI Level-A | YPbPr       | 4:2:2 12bit |
|             |                             |                   | 4096 x 2160       | 67.5              | 30.0 <sup>1</sup>     | 297.0          | IL             | 3G-SDI Level-A | YPbPr       | 4:2:2 12bit |
|             |                             | 4096 x 2160       | 67.5              | 30.0 <sup>1</sup> | 297.0                 | SQ             | 3G-SDI Level-B | YPbPr          | 4:2:2 12bit |             |
|             |                             | 4096 x 2160       | 67.5              | 30.0 <sup>1</sup> | 297.0                 | IL             | 3G-SDI Level-B | YPbPr          | 4:2:2 12bit |             |
|             |                             | 4096 x 2160       | 67.5              | 30.0 <sup>1</sup> | 297.0                 | SQ             | 3G-SDI Level-A | YPbPr          | 4:4:4 10bit |             |
|             |                             | 4096 x 2160       | 67.5              | 30.0 <sup>1</sup> | 297.0                 | IL             | 3G-SDI Level-A | YPbPr          | 4:4:4 10bit |             |
| 4096 x 2160 |                             | 67.5              | 30.0 <sup>1</sup> | 297.0             | SQ                    | 3G-SDI Level-B | YPbPr          | 4:4:4 10bit    |             |             |
| 4096 x 2160 |                             | 67.5              | 30.0 <sup>1</sup> | 297.0             | IL                    | 3G-SDI Level-B | YPbPr          | 4:4:4 10bit    |             |             |
| 4096 x 2160 |                             | 67.5              | 30.0 <sup>1</sup> | 297.0             | SQ                    | 3G-SDI Level-A | YPbPr          | 4:4:4 12bit    |             |             |
| 4096 x 2160 |                             | 67.5              | 30.0 <sup>1</sup> | 297.0             | IL                    | 3G-SDI Level-A | YPbPr          | 4:4:4 12bit    |             |             |
| 4096 x 2160 |                             | 67.5              | 30.0 <sup>1</sup> | 297.0             | SQ                    | 3G-SDI Level-B | YPbPr          | 4:4:4 12bit    |             |             |
| 4096 x 2160 |                             | 67.5              | 30.0 <sup>1</sup> | 297.0             | IL                    | 3G-SDI Level-B | YPbPr          | 4:4:4 12bit    |             |             |
| 4096 x 2160 |                             | 67.5              | 30.0 <sup>1</sup> | 297.0             | SQ                    | 3G-SDI Level-A | RGB            | 4:4:4 10bit    |             |             |
| 4096 x 2160 |                             | 67.5              | 30.0 <sup>1</sup> | 297.0             | IL                    | 3G-SDI Level-A | RGB            | 4:4:4 10bit    |             |             |



| Signal Type | Signal name (SIGNAL FORMAT) | Resolution (Dots) | Scanning freq.   |                   | Dot clock freq. (MHz) | 4K division | Format         | Color format | Sampling    |
|-------------|-----------------------------|-------------------|------------------|-------------------|-----------------------|-------------|----------------|--------------|-------------|
|             |                             |                   | Horizontal (kHz) | Vertical (Hz)     |                       |             |                |              |             |
| V           | 4096 x 2160/30p             | 4096 x 2160       | 67.5             | 30.0 <sup>1</sup> | 297.0                 | IL          | 3G-SDI Level-A | RGB          | 4:4:4 10bit |
|             |                             | 4096 x 2160       | 67.5             | 30.0 <sup>1</sup> | 297.0                 | SQ          | 3G-SDI Level-B | RGB          | 4:4:4 10bit |
|             |                             | 4096 x 2160       | 67.5             | 30.0 <sup>1</sup> | 297.0                 | IL          | 3G-SDI Level-B | RGB          | 4:4:4 10bit |
|             |                             | 4096 x 2160       | 67.5             | 30.0 <sup>1</sup> | 297.0                 | SQ          | 3G-SDI Level-A | RGB          | 4:4:4 12bit |
|             |                             | 4096 x 2160       | 67.5             | 30.0 <sup>1</sup> | 297.0                 | IL          | 3G-SDI Level-A | RGB          | 4:4:4 12bit |
|             |                             | 4096 x 2160       | 67.5             | 30.0 <sup>1</sup> | 297.0                 | SQ          | 3G-SDI Level-B | RGB          | 4:4:4 12bit |
|             | 4096 x 2160/60p             | 4096 x 2160       | 135.0            | 60.0 <sup>1</sup> | 594.0                 | SQ          | 3G-SDI Level-A | YPbPr        | 4:2:2 10bit |
|             |                             | 4096 x 2160       | 135.0            | 60.0 <sup>1</sup> | 594.0                 | IL          | 3G-SDI Level-A | YPbPr        | 4:2:2 10bit |
|             |                             | 4096 x 2160       | 135.0            | 60.0 <sup>1</sup> | 594.0                 | SQ          | 3G-SDI Level-B | YPbPr        | 4:2:2 10bit |
|             |                             | 4096 x 2160       | 135.0            | 60.0 <sup>1</sup> | 594.0                 | IL          | 3G-SDI Level-B | YPbPr        | 4:2:2 10bit |
|             | 4096 x 2160/50p             | 4096 x 2160       | 112.5            | 50.0              | 594.0                 | SQ          | 3G-SDI Level-A | YPbPr        | 4:2:2 10bit |
|             |                             | 4096 x 2160       | 112.5            | 50.0              | 594.0                 | IL          | 3G-SDI Level-A | YPbPr        | 4:2:2 10bit |
|             |                             | 4096 x 2160       | 112.5            | 50.0              | 594.0                 | SQ          | 3G-SDI Level-B | YPbPr        | 4:2:2 10bit |
|             |                             | 4096 x 2160       | 112.5            | 50.0              | 594.0                 | IL          | 3G-SDI Level-B | YPbPr        | 4:2:2 10bit |

1 The signal with 1/1.001x vertical scanning frequency is also supported.