

# WATERFALL AUDIO

SOUND DESIGNERS



## DATA SHEET HURRICANE EVO

Made in France

### KEY POINTS

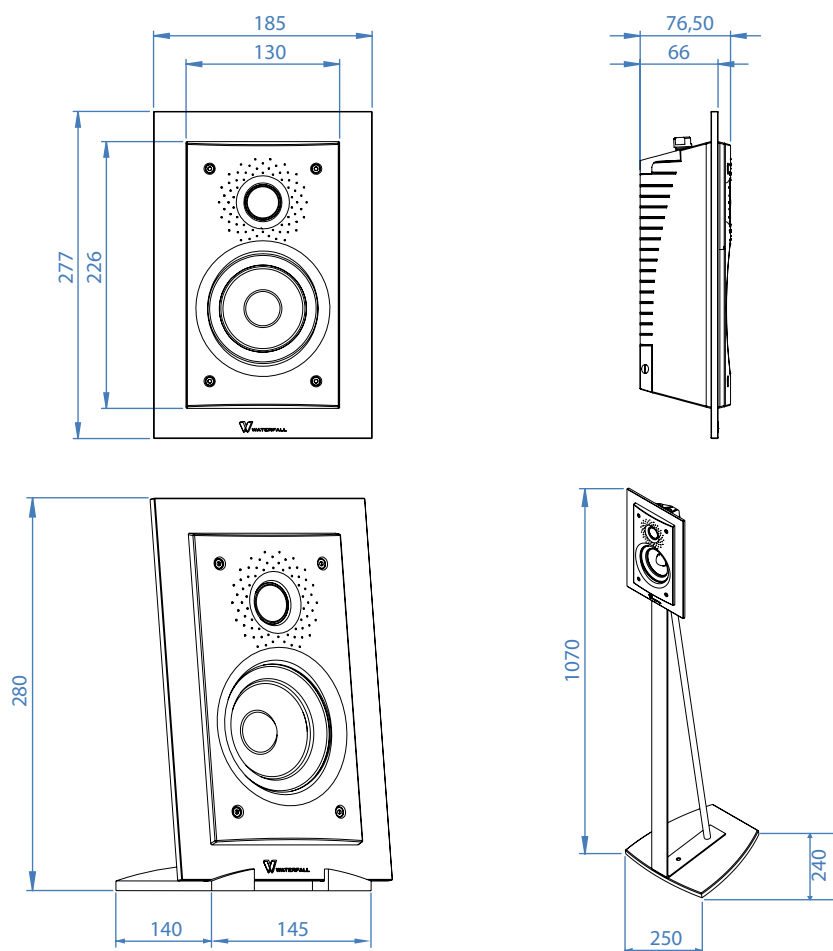
- On wall speaker/satellite, less than 8cm thickness
- High power handling\*, patented "Heatstream" technology
- Excellent finish, choice materials: safety glass and die cast aluminum
- Choice of black or white body with matching grill color

#### Installation options:

- On wall vertical (bracket included)
- On wall angled (bracket supplied upon request)
- On shelf stand (optional black or white)
- On floor stands (optional black or white)

### AUDIO APPLICATIONS

- Stereo 2.1 system or Home Cinema by adding HFM200 subwoofer or HF2-250 subwoofer.
- Surround speaker for A/V with Waterfall floor standing speakers Iguasçu Evo or Victoria Evo
- Possibility of use without a subwoofer if positioned in a corner /angle (95 Hz, -6dB) for multiroom or low volume music in restaurants, hotels, conference rooms
- Perfect to be associated to Flat TV panel
- Suitable for rooms 15 to 40 m<sup>2</sup>/ 160 to 430 ft<sup>2</sup>



## TECHNICAL DETAILS


TYPE	2 way, closed
RECOMMENDED AMPLIFIER*	50 - 150 Watts
PEAK POWER	300 Watts
IMPEDANCE (AVERAGE/MINI)	8 / 4 Ohms
EFFICIENCY (2.83V/1M)	87 dB
FREQUENCY RESPONSE (+/- 3 dB)	120 Hz - 28 kHz
BASS / MIDRANGE DRIVER	1 x 100 mm / 4", Atohm LD100
TWEETER	1 x 20 mm / 0,75", Atohm SD20
DIMENSIONS (width x depth x height in mm) (approx. inches)	185 x 76,5 x 277 / 7,28" x 3" x 10,91"
WEIGHT Kg / approx. lbs	2,0 kg / 4,4 lbs

\* Power handling: the use of an amplifier beyond its limits provokes clipping of the signal which might lead to destruction of the speaker (burnt voice coils). These damages are not covered by warranty.

## WATERFALL AUDIO

ZA les praderies - 83 570 Carcès - France  
 Phone: **+33 (0)4 98 05 11 30**  
[export@waterfallaudio.com](mailto:export@waterfallaudio.com)

Made in France. 5 years warranty on speakers, 2 years warranty on amplifiers (parts & service).  
 We operate a policy of continuous improvement and reserve the right to amend designs and specifications without prior notice.

 All drivers are developed and manufactured by Atohm (France).