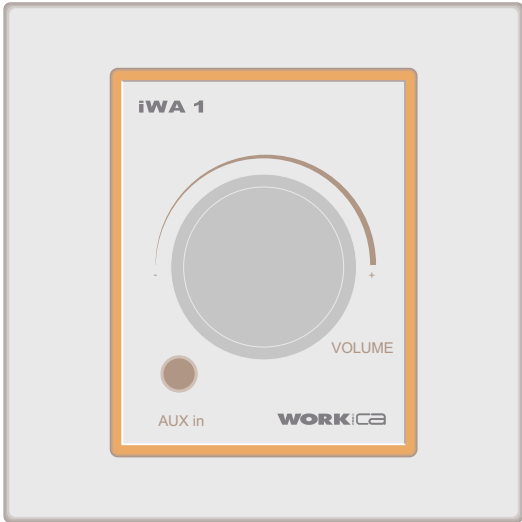


iWA 1



User Manual

iWA1 OPERATING INSTRUCTIONS

INTRODUCTION:

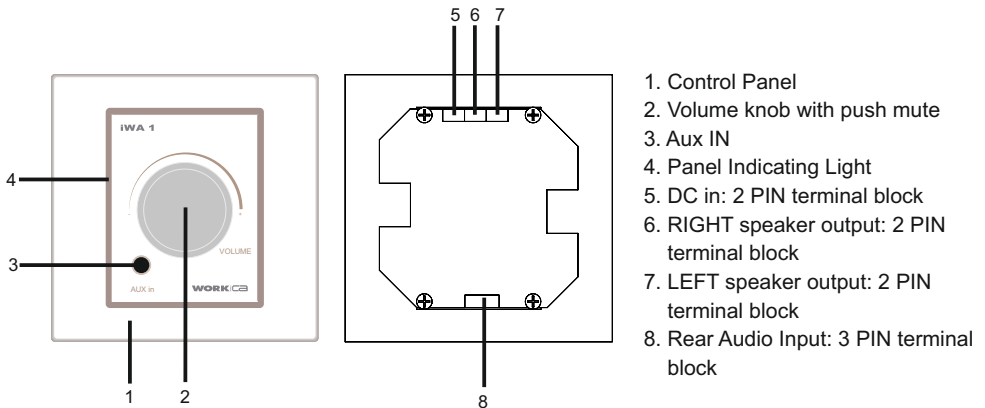
Thank you for purchasing the **iWA 1**. The **iWA 1** is a miniature class D amplifier within a standard 86 x 86 mm single gang wall panel. It is very easy to operate.

WARNING:

1. TO PREVENT FIRE OR SHOCK HAZARD, DO NOT EXPOSE THIS APPARATUS TO RAIN OR MOISTURE.
2. THE iWA1 SHOULD ONLY BE CONNECTED TO A POWER SUPPLY AS DESCRIBED BELOW OR AS MARKED ON THE APPARATUS.
3. THE iWA1 SHOULD BE SITUATED AWAY FROM HIGH VOLTAGE SOURCES.
4. PAY PARTICULAR ATTENTION NOT TO REVERSE THE POWER SUPPLY POLARITY.

TECHNICAL SPECIFICATIONS

Operating Voltage	24 to 30 V dc - 1A
Power Output @ 8Ω (THD + N < 1%)	16W (24V dc) 18W (27V dc) 20W (30V dc)
Sensitivity	840 mV (24V dc) 940 mV (27V dc) 1V (30V dc)
Minimum Total Load	4 Ω
Gain	20 dB
SNR (THD + N < 1%).....	99 dB
INPUT	Terminal block (rear) Mini-jack 3.5 mm (front)
OUTPUT	Terminal block
DIMENSIONS	86 x 86 x 55 mm
WEIGHT	0,2 Kg



INSTALLATION

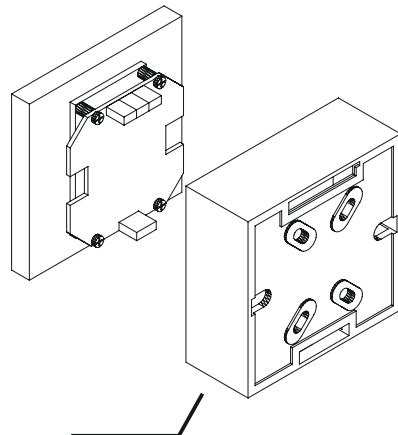
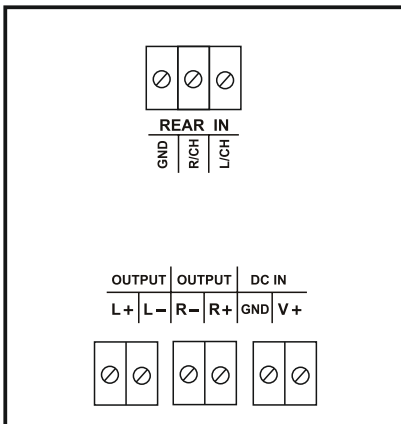
1. Install back box to wall (e.g. included **iWB 1**)
2. Install power supply. The **iWA 1** is designed to be operated at 24V dc, but will accept from 24 to 30V dc. A regulated power supply is highly recommended. If using a very long cable, between the power supply and the **iWA 1** consider a higher voltage power supply (e.g. 30V) to allow for the resulting voltage drop.
3. Connect power supply to the 24V dc terminals taking care to observe the correct polarity.
4. Connect the audio source to the audio input terminals
5. Connect the speakers (minimum impedance 4 ohms) to the speaker left and right terminals respectively.

If a metal back box is used, take care that no connections come in to contact with it.

OPERATION

1. Push the volume knob once to turn on the **iWA 1** from MUTE.
2. Rotate the volume knob on the control panel clockwise; the volume will increase and the indicator light will continually light up. The indicator light around the edge of the volume knob will flash when maximum is reached.
3. If an external Media player is connected to the front Aux IN socket (using a 3.5 mm stereo plug), the external Media Player will be directly selected and the rear audio input will be cut out. It is recommended to mute the volume before plugging/unplugging the external Media Player cable.
4. Push the volume knob once again to put the **iWA 1** into MUTE mode. The **iWA 1** has no OFF switch. Please push the volume knob to MUTE if not use.
5. The volume level is stored when the DC supply is removed; it will be restored when the power is resumed.

CONNECTIONS



iWB 1 (Included)



Important Warranty Information

WORK pro CA products are exclusively distributed in Europe by

Yamaha Music Europe GmbH.
Siemensstrasse 22-34
D-25462 Rellingen, b. Hamburg, Germany

- EN For information regarding the warranty and for user manuals in other languages please go to:**
- FR Les manuels d'utilisation en français ainsi que les informations concernant la garantie son accessible à l'adresse suivante:**
- DE Die deutschen Bedienungsanleitungen und Informationen zu der Gewährleistung finden sie auf der Website:**
- ES Para la información relativa a las condiciones de garantía y los manuales de usuario en español, por favor acceda a la página web:**
- IT Per le informazioni riguardanti la garanzia e per i Manuali d'Uso nelle altre lingue si prega di visitare il sito:**

<http://www.workproca.com>



This symbol on the product or on its packaging indicates that this product shall not be treated as household waste. Instead it shall be handed over to the applicable collection point for the recycling of electrical and electronic equipment. By ensuring this product is disposed of correctly, you will help prevent potential negative consequences for the environment and human health, which could otherwise be caused by inappropriate waste handling of this product. The recycling of materials will help to conserve natural resources. For more detailed information about recycling of this product, please contact your local city office, your household waste disposal service or the shop where you purchased the product.

Manufactured by **EQUIPSON, S.A.**